



ELMARK RELEU DE TIMP TE 19M

Releu de timp MULTIFUNCTIONAL

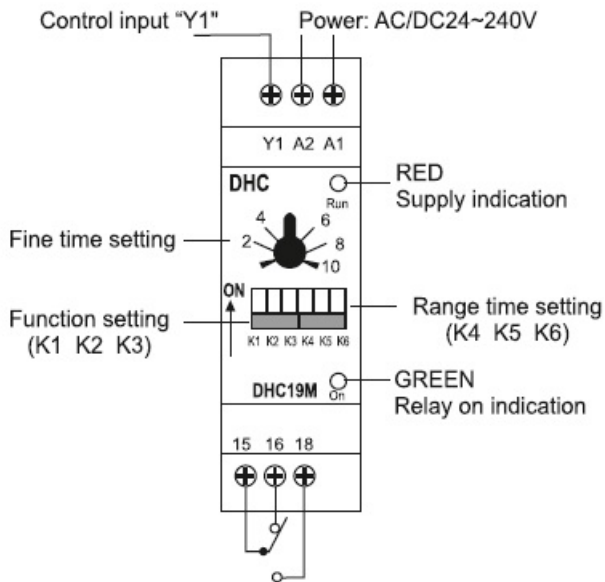
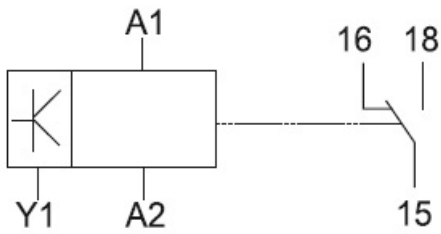
Tensiune de alimentare 24-240Vc

Se monteaza pe sina din , ocupa 1 modul

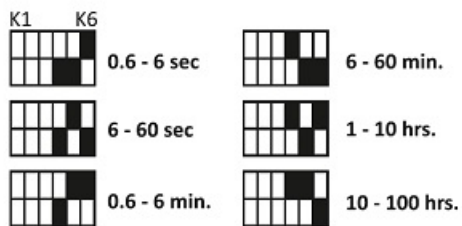
reglaj timp variabil

Functions

Function	Terminal Settings (K1-K6)	Timing Diagram
1 DELAY ON after energisation	U: [1] [] [] [] [] []	A1-A2: t_{d} 15-18
2 ON PULSE after energisation	U: [2] [] [] [] [] []	A1-A2: t_p 15-18 $t < t_p$
3 ON PULSE (Trailing edge, signal start delay on)	Y1: [3] [] [] [] [] []	A1-A2: t_{d1} t_{d2} 15-18
4 ON PULSE (Trailing edge, signal start relay on and delay off)	Y1: [4] [] [] [] [] []	A1-A2: t_p t_{d} 15-18
5 DELAY OFF (Trailing edge, signal start)	Y1: [5] [] [] [] [] []	A1-A2: t_{d} t_{d2} 15-18
6 OFF PULSE (Trailing edge, signal start relay on and delay off)	Y1: [6] [] [] [] [] []	A1-A2: t_p 15-18
7 ON AND OFF PULSE (signal start delay on and delay off)	Y1: [7] [] [] [] [] []	A1-A2: t_{d1} t_{d2} 15-18
8 ON AND OFF PULSE (signal start relay on and delay off)	Y1: [8] [] [] [] [] []	A1-A2: t_p t_{d} 15-18



Time ranges



Pret: 161,00 LEI (TVA inclus)

Detalii online: <https://www.materialelectrice.ro/releu-de-timp-te-19m-37589>