

### CHINT PANOU FOTOVOLTAIC MONOCRISTALIN ASTRO 5S 405W

Module fotovoltaice monocristaline Astronergy by CHINT Multi-Busbar Half-Cut Cell Extrem de robuste. Rezistent la temperaturi ridicate. Echipat cu tehnologie inovatoare PERC. Randament ridicat. Potrivit pentru numeroase tipuri de aplicatii în sectoarele civil, comercial și rezidențial.

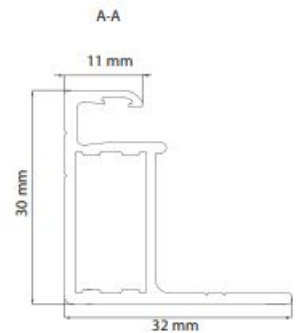
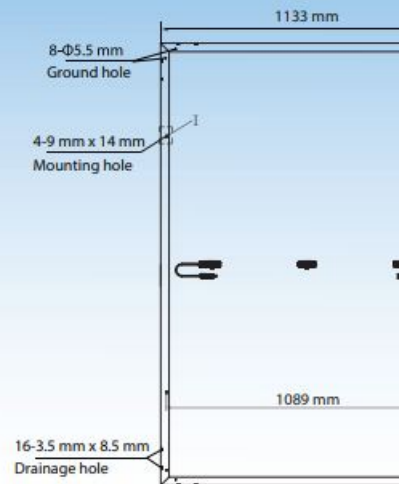
Lungime 1708,00mm  
Lățime netă 1133,00mm  
Înălțime 30,00mm  
Masă netă 21,50kg.  
Fabricant Chint  
Tip celulă monocristal  
Putere 405W

Tensiune 31.26V mppt

Voc 37.00V

Eficiența 20.9%  
Încărcare mecanică maximă 5400N  
Conexiune MC4  
Toleranță 0 până la +5W

STC rated output ( $P_{mpp}$ )	395 Wp	400 Wp	405 Wp	410 Wp
Rated voltage ( $V_{mpp}$ ) at STC	30.92 V	31.09 V	31.26 V	31.43 V
Rated current ( $I_{mpp}$ ) at STC	12.77 A	12.86 A	12.96 A	13.05 A
Open circuit voltage ( $V_{oc}$ ) at STC	36.80 V	37.00 V	37.20 V	37.40 V
Short circuit current ( $I_{sc}$ ) at STC	13.52 A	13.65 A	13.76 A	13.88 A
Module efficiency	20.4%	20.7%	20.9%	21.2%
Rated output ( $P_{mpp}$ ) at NMOT	295.2 Wp	298.9 Wp	302.7 Wp	306.4 Wp
Rated voltage ( $V_{mpp}$ ) at NMOT	28.82 V	28.98 V	29.13 V	29.29 V
Rated current ( $I_{mpp}$ ) at NMOT	10.24 A	10.32 A	10.39 A	10.46 A
Open circuit voltage ( $V_{oc}$ ) at NMOT	34.78 V	34.97 V	35.15 V	35.34 V
Short circuit current ( $I_{sc}$ ) at NMOT	10.97 A	11.07 A	11.17 A	11.26 A
Temperature coefficient ( $P_{mpp}$ )	- 0.35%/°C			
Temperature coefficient ( $I_{sc}$ )	+ 0.045%/°C			
Temperature coefficient ( $V_{oc}$ )	- 0.27%/°C			
Nominal module operating temperature (NMOT)	41±2°C			
Maximum system voltage (IEC/UL)	1500V <sub>DC</sub>			
Number of diodes	3			
Junction box IP rating	IP 68			
Maximum series fuse rating	25 A			



STC: Irradiance 1000W/m<sup>2</sup>, Cell Temperature 25°C, AM=1.5

NMOT: Irradiance 800W/m<sup>2</sup>, Ambient Temperature 20°C, AM=1.5, Wind Speed 1m/s

Pret: 895,77 LEI (TVA inclus)

Detalii online: <https://www.materialeelectrice.ro/panou-fotovoltaic-monocristalin-astro-5s-405w>