



## MOELLER EATON ANSAMBLU DE CONTACTORI PORNIRE STEA TRIUNGHI 22KW 230V

Ansamblu complet pentru pornirea motoarelor in regim stea-triunghi

Ansamblul presupune

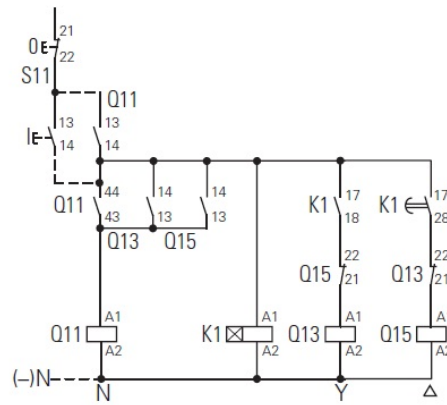
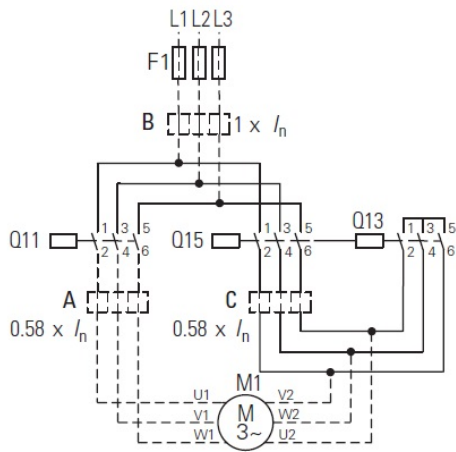
-3 bucati contactori de forta cu bobina la 230V in echipare standard ( se poate comanda si alta tensiune la bobina)

-contacte auxiliare

-releu te timp

-protectie termica si declansarea automata la lipsa faza.

Schema de montaj :



Overload relay settings

**A:**  $I_N \times 0.58$

Motor protected in Y and  $\Delta$ - positions

**B:**  $I_N \times 1$

Only partial motor protection in Y position

**C:**  $I_N \times 0.58$

Motor not protected in Y position

Timing relay set to approx. 10 s

Main circuit:

Depending on the type of coordination required (i.e. Type "1" or Type "2") it must be established whether the fuse protection and the input wiring for the mains contactor and delta contactor are to be common or separate.

Starting

F 15 s

15 – 40 s

> 40 s

Pret: 1.179,07 LEI (TVA inclus)

Detalii online: <https://www.materialelectrice.ro/ansamblu-de-contactori-pornire-stea-triunghi-22kw-230v>