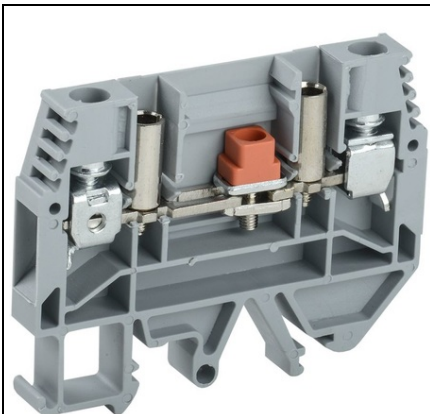


Furnizor: **Sc Trivolt Distribution SRL**  
Reg. com.: J23/3300/2016  
CIF: RO36421140  
Adresa: Strada Apusului nr 3 ( primul  
sens giratoriu Tehodor Pallady-  
Autostrada Soarelui), Catelu, Ilfov  
Banca: BRD  
IBAN: RO34BRDE441SV13182234410



### **IEK SCREW TERMINAL KVI-6-I MEASURING 6MM2 GRI**

Screw terminals are designed for permanent, safe and compact connection of conductors of different cross sections in orderly distribution systems inside electrical cabinets. They are used to secure phase, neutral and protective conductors. Mounted on a DIN rail.

Measuring terminals have a special disconnect on the current-carrying busbar, allowing a visible break in the electrical control circuit. There are also contacts for connection of measuring equipment. The color of terminal versions: gray, blue, yellow, green, red, black, orange, yellow-green (PE). Insulation enclosure made of flexible and impact-resistant flame-resistant polyamide PA6.6, complies with UL94 V0 classification, has excellent resistance to corrosive environments and temperatures.

It is possible to connect conductors with nominal cross-section, both with and without cable lugs.

Extensive range of accessories: end caps, marking plates, jumpers.

Temperature over test (max 45°C).

Test to withstand a current of 120A per 1mm<sup>2</sup> for 1 second.

Voltage drop test (not more than 3.2mV). Connectable conductor cross section solid-core: 0,5...10

Connectable conductor cross section multi-wired: 0,5...6

Rated current In: 7

Nominal rated voltage: 600

Type of electrical connection 2: EV000415

Connection position: EV001224

Number of poles: 1

Number of clamp positions per pole: 2

Mounting method: EV005503

Material insulation body: EV000402

Operation temperature: -60...+110

Inflammability class of insulation material acc. with UL94: EV004429

Width/grid dimension: 8.0

Length: 47

Colour: EV000270

Nominal operating AC voltage U<sub>e</sub>: ≤ 800

Nominal DC operating voltage U<sub>e</sub>: ≤ 800

Nominal frequency: 50

Rated insulation voltage U<sub>i</sub>: 6000

Max. conductor cross section: 6

Material clamp: EV000179

Material housing: EV000402

Ambient class: IEK\_V000009

Degree of protection (IP): EV006404

Width: 8

Height: 70

Nominal Attachment Capacity: 0,5...6

Quantity in the kit: 50

Model: IEK\_V0000505

Minimum section: 0.5

Current-carrying part material: EV000138

Nominal insulation voltage: 1000

Degree of protection - IP with blanking: EV006405

Degree of protection - IP without blanking: EV006404

Relative air humidity: ≥ 90

Pollution degree: EV000069

Maintainability: EV000494

Rated surge voltage invariability: 6

Type of electrical connection 1: EV000415

Pret: 0,00 lei (TVA inclus)

Detalii online: <https://www.materialelectrice.ro/screw-terminal-kvi-6-i-measuring-6mm2-gri-309494>