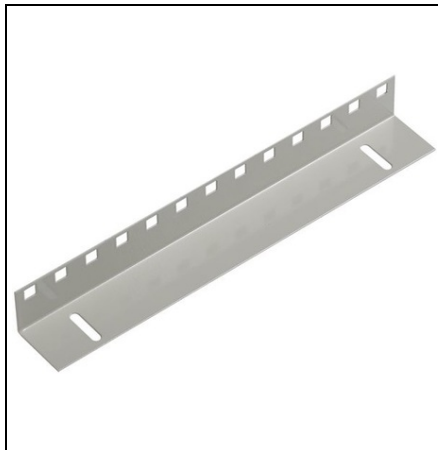


Furnizor: **Sc Trivolt Distribution SRL**
Reg. com.: J23/3300/2016
CIF: RO36421140
Adresa: Strada Apusului nr 3 (primul
sens giratoriu Tehodor Pallady-
Autostrada Soarelui), Catelu, Ilfov
Banca: BRD
IBAN: RO34BRDE441SV13182234410



IEK FRONT PANEL ANGLE BAR SCHMP-4 PRO (SET OF 2 PCS)

For fixing of LG and LMA panels (with adjustable depth of LG and LMA panels installation). High technology and ease of assembly, convenient and easy installation. All hardware for installation are included.

Galvanized steel.

Wide range of accessories. Material quality: IEK_V0000136

Height: 724.0

Depth: 36.0

Surface protection: EV000253

Quantity in the kit: 2

Material: EV000179

Model: EV003736

Compatibility: NĐµÑ€Đ, Ñ Pro

Width: 49.0

Pret: 0,00 lei (TVA inclus)

Detalii online: <https://www.materialeelectrice.ro/front-panel-angle-bar-schmp-4-pro-set-of-2-pcs-308432>