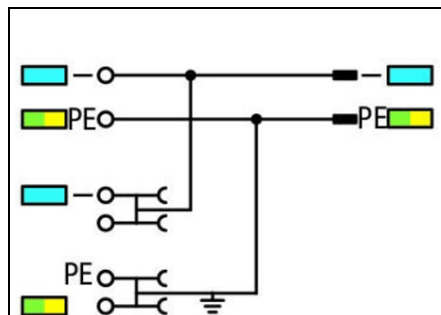


Furnizor: **Sc Trivolt Distribution SRL**
Reg. com.: J23/3300/2016
CIF: RO36421140
Adresa: Strada Apusului nr 3 (primul
sens giratoriu Tehodor Pallady-
Autostrada Soarelui), Catelu, Ilfov
Banca: BRD
IBAN: RO34BRDE441SV13182234410



WAGO 3-CONDUCTOR SENSOR/ACTUATOR TERMINAL BLOCK; FOR PNP-(HIGH-SIDE) SWITCHING ACTUATORS; WITH GROUND CONTACT; 1 MM²; PUSH-IN CAGE CLAMP®; 1,00 MM²; ORANGE

Ratings per: IEC/EN 60947-7-1;
Tensiune nominala (III/3): 250; V
Curent nominal: 13,5; A
Legend (ratings): (III / 3) % Overvoltage category III / Pollution degree 3;
Tensiune nominala UL (Use Group B): 300; V
Curent nominal UL (Use Group B): 15; A
Tensiune nominala UL (Use Group C): 300; V
Curent nominal UL (Use Group C): 15; A
Tensiune nominala UL (Use Group D): 300; V
Curent nominal UL (Use Group D): 15; A
Certificari: UL 1059;
Tensiune nominala CSA (Use Group C): 300; V
Curent nominal CSA (Use Group C): 10; A
Tehnologie conexiune: Push-in CAGE CLAMP®;
Tip actionare: Push-in; Open Tool Slot;
Connectable conductor materials: Copper;
Nominal cross-section: 1 mm²;
Solid conductor: 0,14 ... 1,5 mm² / 24 ... 16 AWG;
Solid conductor; push-in termination: 0,5 ... 1,5 mm² / 20 ... 16 AWG;
Fine-stranded conductor: 0,14 ... 1,5 mm² / 24 ... 16 AWG;
Fine-stranded conductor; with insulated ferrule: 0,5 ... 0,75 mm² / 20 ... 18 AWG;
Fine-stranded conductor; with ferrule; push-in termination: 0,5 ... 0,75 mm² / 20 ... 18 AWG;
Strip length: 9 ... 11 mm / 0.35 ... 0.43 inch;
Numar total de conexiuni: 6;
Total number of potentials: 4;
Wiring type: Front-entry wiring;
Note (conductor cross-section): Depending on the conductor characteristic, a conductor with a smaller cross-section can also be inserted via push-in termination.;
Latime: 7 mm / 0.276 inch;
Inaltime from upper-edge of DIN-rail: 52,4 mm / 2.063 inch;
Adancime: 81,1 mm / 3.193 inch;
Design: horizontal type;
Tip montaj: DIN-35 rail;
Marking level: Center/side marking;
Culoare: orange;
Material izolator: Polyamide 66 (PA 66);
Greutate: 18,4; g
Tip ambalare: BOX;
Tara de origine: DE;
GTIN: 4055143523844;
Customs tariff number: 85369010000;
Pret: 56,54 lei (TVA inclus)

Detalii online: <https://www.materialelectrice.ro/3-conductor-sensor-actuator-terminal-block-for-pnp-high-side-switching-actuators-with-ground-contact-1-mm2-push-in-cage-clamp-1-00-mm2-orange-152169>