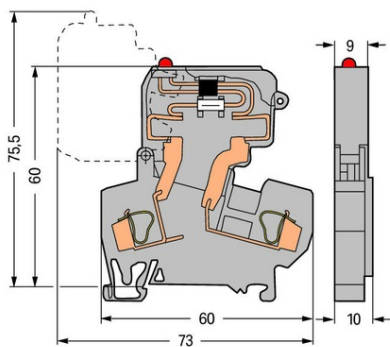


Furnizor: **Sc Trivolt Distribution SRL**
Reg. com.: J23/3300/2016
CIF: RO36421140
Adresa: Strada Apusului nr 3 (primul
sens giratoriu Tehodor Pallady-
Autostrada Soarelui), Catelu, Ilfov
Banca: BRD
IBAN: RO34BRDE441SV13182234410



WAGO 2-CONDUCTOR FUSE TERMINAL BLOCK; WITH PIVOTING FUSE HOLDER; FOR MINIATURE METRIC FUSE 1/4 X 1 MM; WITH BLOWN FUSE INDICATION BY LED; 30 - 65 V; FOR DIN-RAIL 35 X 15 AND 35 X 7.5; 4 MM²; CAGE CLAMP®; 4,00 MM²; GRAY

Ratings per: IEC/EN 60947-7-3;
Tesiune nominala (III/3): 800; V
Tensiune nominala de supratensiune (III/3): 8; kV
Curent nominal: 10; A
Operation status indicator: 30 ... 65 V;
Legend (ratings): (III / 3) à‰™ Overvoltage category III / Pollution degree 3;
Tehnologie conexiune: CAGE CLAMP®;
Tip actionare: Operating tool;
Connectable conductor materials: Copper; Aluminum;
Solid conductor: 0,08 ... 4 mm² / 28 ... 12 AWG;
Fine-stranded conductor: 0,08 ... 4 mm² / 28 ... 12 AWG;
Strip length: 9 ... 10 mm / 0.35 ... 0.39 inch;
Numar total de conexiuni: 2;
Total number of potentials: 2;
Numar nivele: 1;
Wiring type: Front-entry wiring;
Latime: 10 mm / 0.394 inch;
Inaltime from upper-edge of DIN-rail: 60 mm / 2.362 inch;
Adancime: 60 mm / 2.362 inch;
Design: angled;
Tip montaj: DIN-35 rail;
Marking level: Center marking;
Culoare: gray;
Material izolator: Polyamide 66 (PA 66);
Fire load: 0,4; MJ
Greutate: 20,1; g
Product Group: 1 (Rail Mounted Terminal Blocks);
Tip ambalare: BOX;
Tara de origine: DE;
GTIN: 4045454319458;
Customs tariff number: 85369095990;
Pret: 79,74 lei (TVA inclus)

Detalii online: <https://www.materialeelectrice.ro/2-conductor-fuse-terminal-block-with-pivoting-fuse-holder-for-miniature-metric-fuse-1-4-x-1-mm-with-blown-fuse-indication-by-led-30-65-v-for-din-rail-35-x-15-and-35-x-7-5-4-mm2-cage-clamp-4-00-mm2-gray-152106>