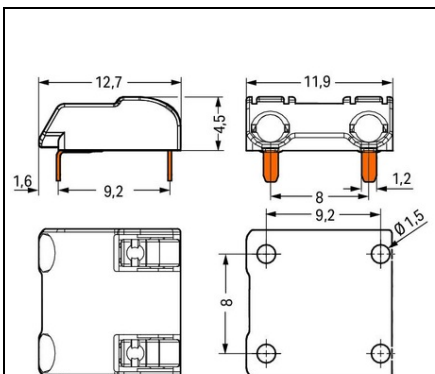


Furnizor: **Sc Trivolt Distribution SRL**
Reg. com.: J23/3300/2016
CIF: RO36421140
Adresa: Strada Apusului nr 3 (primul
sens giratoriu Tehodor Pallady-
Autostrada Soarelui), Catelu, Ilfov
Banca: BRD
IBAN: RO34BRDE441SV13182234410



**WAGO THR PCB TERMINAL BLOCK; PUSH-BUTTON; 0.75 MM²; PIN
SPACING 8 MM; 2-POLE; PUSH-IN CAGE CLAMP[®]; IN TAPE-AND-
REEL PACKAGING; 0.75 MM²; WHITE**

Ratings per: IEC/EN 60664-1;
Tensiune nominala (III/3): 400; V
Tensiune nominala de supratensiune (III/3): 6; kV
Tensiune nominala (III/2): 630; V
Tensiune nominala de supratensiune (III/2): 6; kV
Tensiune nominala (II/2): 1000; V
Tensiune nominala de supratensiune (II/2): 6; kV
Curent nominal: 9; A
Legend (ratings): (III / 2) $\hat{=}$ ∞ ™ Overvoltage category III / Pollution degree 2;
Certificari: UL 1059;
Tehnologie conexiune: Push-in CAGE CLAMP[®];
Tip actionare: Push-button;
Solid conductor: 0,2 ... 0,75 mm² / 24 ... 18 AWG;
Fine-stranded conductor: 0,2 ... 0,75 mm² / 24 ... 18 AWG;
Fine-stranded conductor; with insulated ferrule: 0,25 ... 0,34 mm²;
Fine-stranded conductor; with uninsulated ferrule: 0,25 ... 0,34 mm²;
Strip length: 6 ... 7 mm / 0.24 ... 0.28 inch;
Conductor connection direction to PCB: 0; °
Numar poli: 2;
Numar total de conexiuni: 2;
Total number of potentials: 2;
Numar tipuri de conexiuni: 1;
Numar nivele: 1;
Distanta intre pini: 8 mm / 0.314 inch;
Latime: 11,9 mm / 0.467 inch;
Inaltime: 6,9 mm / 0.272 inch;
Inaltime de la fata: 4,5 mm / 0.177 inch;
Adancime: 12,7 mm / 0.5 inch;
Lungimea pinului de contact: 2,4; mm
Solder pin dimensions: 1,2 x 0,75 mm;
Diametru placat prin gaura (THR): 1,5 (+0,1) mm;
Reel diameter of tape-and-reel packaging: 330; mm
Tape Latime: 24; mm
PCB contact: THR;
Solder pin arrangement: over the entire terminal strip (in-line);
Number of solder pins per potential: 2;
Culoare: white;
Material group: I;
Material izolator: Polyphthalamide (PPA GF);
Flammability class per UL94: V0;
Clamping spring material: Chrome nickel spring steel (CrNi);
Contact material: Copper alloy;
Contact plating: tin-plated;
Greutate: 0,6; g
Temperatura lucru: -60 ... +105 °C;
Tip ambalare: BOX;
Tara de origine: CH;
GTIN: 4055143331173;
Customs tariff number: 85369010000;
Pret: 4,36 lei (TVA inclus)

Detalii online: <https://www.materialeelectrice.ro/thr-pcb-terminal-block-push-button-0-75-mm2-pin-spacing-8-mm-2-pole-push-in-cage-clamp-in-tape-and-reel-packaging-0-75-mm2-white-151851>