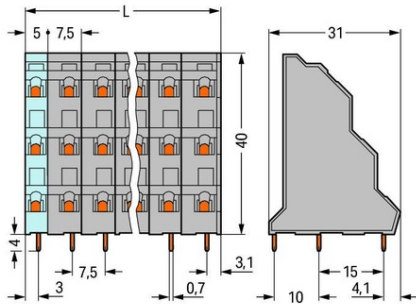


Furnizor: **Sc Trivolt Distribution SRL**  
 Reg. com.: J23/3300/2016  
 CIF: RO36421140  
 Adresa: Strada Apusului nr 3 ( primul  
 sens giratoriu Tehodor Pallady-  
 Autostrada Soarelui), Catelu, Ilfov  
 Banca: BRD  
 IBAN: RO34BRDE441SV13182234410



**WAGO TRIPLE-DECK PCB TERMINAL BLOCK; 2.5 MM<sup>2</sup>; PIN  
 SPACING 7.5 MM; 3 X 6-POLE; CAGE CLAMP<sup>®</sup>; 2.50 MM<sup>2</sup>; GRAY**

Ratings per: IEC/EN 60664-1;  
 Ratings (note): between the modules;  
 Tensiune nominala (III/3): 400; V  
 Tensiune nominala de supratensiune (III/3): 6; kV  
 Tensiune nominala (III/2): 630; V  
 Tensiune nominala de supratensiune (III/2): 6; kV  
 Tensiune nominala (II/2): 1000; V  
 Tensiune nominala de supratensiune (II/2): 6; kV  
 Curent nominal: 21; A  
 Ratings per: IEC/EN 60664-1;  
 Ratings (note) 2: between the decks;  
 Tensiune nominala (III/3) 2: 320; V  
 Tensiune nominala de supratensiune (III/3) 2: 4; kV  
 Tensiune nominala (III/2) 2: 320; V  
 Tensiune nominala de supratensiune (III/2) 2: 4; kV  
 Tensiune nominala (II/2) 2: 630; V  
 Tensiune nominala de supratensiune (II/2) 2: 4; kV  
 Curent nominal 2: 21; A  
 Legend (ratings): (III / 2)  $\hat{=}$  Overvoltage category III / Pollution degree 2;  
 Tensiune nominala UL (Use Group B): 300; V  
 Curent nominal UL (Use Group B): 10; A  
 Tensiune nominala UL (Use Group D): 300; V  
 Curent nominal UL (Use Group D): 10; A  
 Certificari: UL 1059;  
 Tensiune nominala CSA (Use Group B): 300; V  
 Curent nominal CSA (Use Group B): 10; A  
 Tensiune nominala CSA (Use Group D): 300; V  
 Curent nominal CSA (Use Group D): 10; A  
 Tehnologie conexiune: CAGE CLAMP<sup>®</sup>;  
 Tip actionare: Operating tool;  
 Solid conductor: 0,08 ... 2,5 mm<sup>2</sup> / 28 ... 12 AWG;  
 Fine-stranded conductor: 0,08 ... 2,5 mm<sup>2</sup> / 28 ... 12 AWG;  
 Fine-stranded conductor; with insulated ferrule: 0,25 ... 1,5 mm<sup>2</sup>;  
 Fine-stranded conductor; with uninsulated ferrule: 0,25 ... 2,5 mm<sup>2</sup>;  
 Strip length: 5 ... 6 mm / 0.2 ... 0.24 inch;  
 Conductor connection direction to PCB: 45; °  
 Numar poli: 6;  
 Numar total de conexiuni: 18;  
 Total number of potentials: 18;  
 Numar tipuri de conexiuni: 1;  
 Numar nivele: 3;  
 Note (conductor cross-section): 12 AWG: THHN, THWN;  
 Distanta intre pini: 7,5 mm / 0.295 inch;  
 Latime: 43,5 mm / 1.713 inch;  
 Inaltime: 44 mm / 1.732 inch;  
 Inaltime de la fata: 40 mm / 1.575 inch;  
 Adancime: 31 mm / 1.22 inch;  
 Lungimea pinului de contact: 4; mm  
 Solder pin dimensions: 0,7 x 0,7 mm;  
 Diametrul de gaurire cu toleranta: 1,3 (+0,1) mm;  
 PCB contact: THT;  
 Solder pin arrangement: within the terminal block (in-line);  
 Number of solder pins per potential: 1;  
 Culoare: gray;  
 Material group: I;  
 Material izolator: Polyamide 66 (PA 66);  
 Flammability class per UL94: V0;  
 Clamping spring material: Chrome nickel spring steel (CrNi);  
 Contact material: Cupru electrolitic (ECu);  
 Contact plating: tin-plated;  
 Fire load: 0,471; MJ  
 Greutate: 28,6; g  
 Temperatura lucru: -60 ... +105 °C;  
 Product Group: 4 (Printed Circuit);  
 Tip ambalare: BOX;  
 Tara de origine: PL;  
 GTIN: 4045454022464;  
 Customs tariff number: 85369010000;  
 Pret: 48,02 lei (TVA inclus)

Detalii online: <https://www.materialelectrice.ro/triple-deck-pcb-terminal-block-2-5-mm2-pin-spacing-7-5-mm-3-x-6-pole-cage-clamp-2-50-mm2-gray-151780>