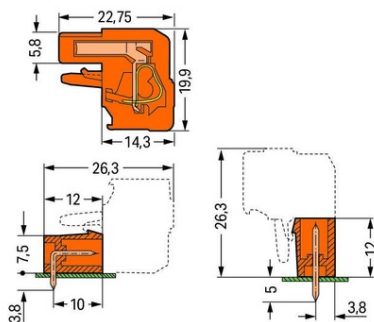


Furnizor: **Sc Trivolt Distribution SRL**
Reg. com.: J23/3300/2016
CIF: RO36421140
Adresa: Strada Apusului nr 3 (primul
sens giratoriu Tehodor Pallady-
Autostrada Soarelui), Catelu, Ilfov
Banca: BRD
IBAN: RO34BRDE441SV13182234410



**WAGO 1-CONDUCTOR FEMALE PLUG; ANGLED; 2.5 MM²; PIN
SPACING 5.08 MM; 13-POLE; 2,50 MM²; ORANGE**

Ratings per: IEC/EN 60664-1;
Tensiune nominala (III/3): 320; V
Tensiune nominala de supratensiune (III/3): 4; kV
Tensiune nominala (III/2): 320; V
Tensiune nominala de supratensiune (III/2): 4; kV
Tensiune nominala (II/2): 630; V
Tensiune nominala de supratensiune (II/2): 4; kV
Curent nominal: 14; A
Legend (ratings): (III / 2) $\hat{=}$ Overvoltage category III / Pollution degree 2;
Tensiune nominala UL (Use Group B): 300; V
Curent nominal UL (Use Group B): 15; A
Tensiune nominala UL (Use Group D): 300; V
Curent nominal UL (Use Group D): 10; A
Certificari: UL 1059;
Tensiune nominala UL 1977: 600; V
Curent nominal UL 1977: 15; A
Tensiune nominala CSA (Use Group B): 300; V
Curent nominal CSA (Use Group B): 15; A
Tensiune nominala CSA (Use Group D): 300; V
Curent nominal CSA (Use Group D): 10; A
Tehnologie conexiune: CAGE CLAMP®;
Tip actionare: Operating tool;
Solid conductor: 0,08 ... 2,5 mm² / 28 ... 12 AWG;
Fine-stranded conductor: 0,08 ... 2,5 mm² / 28 ... 12 AWG;
Fine-stranded conductor; with insulated ferrule: 0,25 ... 1,5 mm²;
Fine-stranded conductor; with uninsulated ferrule: 0,25 ... 2,5 mm²;
Strip length: 8 ... 9 mm / 0.31 ... 0.35 inch;
Numar poli: 13;
Numar total de conexiuni: 13;
Total number of potentials: 13;
Numar tipuri de conexiuni: 1;
Numar nivele: 1;
Conductor entry direction to mating direction: 90; °
Distanta intre pini: 5,08 mm / 0.2 inch;
Latime: 68,44 mm / 2.694 inch;
Inaltime: 19,9 mm / 0.783 inch;
Adancime: 22,75 mm / 0.896 inch;
Design: angled;
Tip contact (pluggable connector): Conector mama/priza;
Connector (connection type): for conductor;
Mismatching protection: No;
Culoare: orange;
Material group: I;
Material izolator: Polyamide 66 (PA 66);
Flammability class per UL94: V0;
Clamping spring material: Chrome nickel spring steel (CrNi);
Contact material: Copper alloy;
Contact plating: tin-plated;
Fire load: 0,397; MJ
Greutate: 24,4; g
Temperatura lucru: -60 ... +100 °C;
Product Group: 3 (Multi Conn. System);
Tip ambalare: BOX;
Tara de origine: PL;
GTIN: 4044918390118;
Customs tariff number: 85366990990;
Pret: 46,46 lei (TVA inclus)

Detalii online: <https://www.materialeelectrice.ro/1-conductor-female-plug-angled-2-5-mm2-pin-spacing-5-08-mm-13-pole-2-50-mm2-orange-151592>