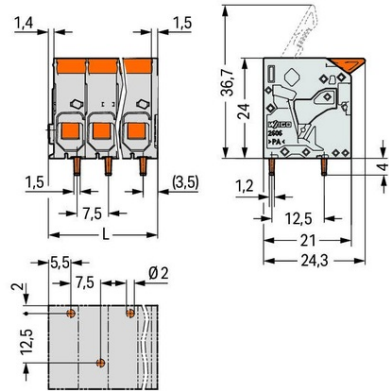


Furnizor: **Sc Trivolt Distribution SRL**
Reg. com.: J23/3300/2016
CIF: RO36421140
Adresa: Strada Apusului nr 3 (primul
sens giratoriu Tehodor Pallady-
Autostrada Soarelui), Catelu, Ilfov
Banca: BRD
IBAN: RO34BRDE441SV13182234410



WAGO PCB TERMINAL BLOCK; LEVER; 6 MM²; PIN SPACING 7.5 MM; 12-POLE; PUSH-IN CAGE CLAMP®; 6.00 MM²; GRAY

Ratings per: IEC/EN 60664-1;
Tensiune nominala (III/3): 800; V
Tensiune nominala de supratensiune (III/3): 8; kV
Tensiune nominala (III/2): 1000; V
Tensiune nominala de supratensiune (III/2): 8; kV
Tensiune nominala (II/2): 1000; V
Tensiune nominala de supratensiune (II/2): 8; kV
Curent nominal: 41; A
Legend (ratings): (III / 2) $\hat{=}$ Overvoltage category III / Pollution degree 2;
Tensiune nominala UL (Use Group B): 600; V
Curent nominal UL (Use Group B): 31; A
Tensiune nominala UL (Use Group C): 600; V
Curent nominal UL (Use Group C): 31; A
Certificari: UL 1059;
Tehnologie conexiune: Push-in CAGE CLAMP®;
Tip actionare: Lever;
Solid conductor: 0,2 ... 10 mm² / 24 ... 8 AWG;
Fine-stranded conductor: 0,2 ... 10 mm² / 24 ... 8 AWG;
Fine-stranded conductor; with insulated ferrule: 0,25 ... 6 mm²;
Fine-stranded conductor; with uninsulated ferrule: 0,25 ... 6 mm²;
Fine-stranded conductor; with twin ferrule: 0,25 ... 2,5 mm²;
Strip length: 11 ... 13 mm / 0.43 ... 0.51 inch;
Conductor connection direction to PCB: 0; °
Numar poli: 12;
Numar total de conexiuni: 12;
Total number of potentials: 12;
Numar tipuri de conexiuni: 1;
Numar nivele: 1;
Distanta intre pini: 7,5 mm / 0.295 inch;
Latime: 92,85 mm / 3.656 inch;
Inaltime: 28 mm / 1.102 inch;
Inaltime de la fata: 24 mm / 0.945 inch;
Adancime: 24,3 mm / 0.957 inch;
Lungimea pinului de contact: 4; mm
Solder pin dimensions: 1,5 x 1,2 mm;
Diametrul de gaurire cu toleranta: 2 (+0,1) mm;
PCB contact: THT;
Solder pin arrangement: over the entire terminal strip (staggered);
Number of solder pins per potential: 1;
Culoare: gray;
Material group: I;
Material izolator: Polyamide 66 (PA 66);
Flammability class per UL94: V0;
Clamping spring material: Chrome nickel spring steel (CrNi);
Contact material: Cupru electrolitic(ECu);
Contact plating: tin-plated;
Color of actuator: orange;
Greutate: 45,9; g
Temperatura lucru: -60 ... +105 °C;
Tip ambalare: BOX;
Tara de origine: DE;
GTIN: 4055143586566;
Customs tariff number: 85369010000;
Pret: 91,03 lei (TVA inclus)

Detalii online: <https://www.materialelectrice.ro/pcb-terminal-block-lever-6-mm2-pin-spacing-7-5-mm-12-pole-push-in-cage-clamp-6-00-mm2-gray-151319>