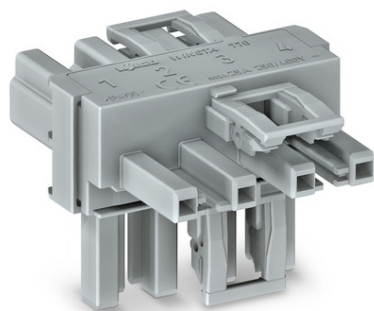


Furnizor: **Sc Trivolt Distribution SRL**
Reg. com.: J23/3300/2016
CIF: RO36421140
Adresa: Strada Apusului nr 3 (primul
sens giratoriu Tehodor Pallady-
Autostrada Soarelui), Catelu, Ilfov
Banca: BRD
IBAN: RO34BRDE441SV13182234410



**WAGO T-DISTRIBUTION CONNECTOR; 4-POLE; COD. B; 1 INPUT; 2
OUTPUTS; 3 LOCKING LEVERS; FOR FLYING LEADS; PINK**

Note on Contact Resistance: approx. 1 mΩ; of contact resistance ≈ 0.25 mΩ;
contact transition plug/socket;
Ratings per: IEC/EN 60664-1;
Tensiune nominala (III/3): 400; V
Tensiune nominala de supratensiune (III/3): 6; kV
Curent nominal: 25; A
Legend (ratings): (III / 3) % Overvoltage category III / Pollution degree 3;
Tensiune nominala UL 1977: 600; V
Curent nominal UL 1977: 23; A
Numar poli: 4;
Total number of potentials: 4;
Distanta intre pini: 10 mm / 0.394 inch;
Latime: 44 mm / 1.732 inch;
Inaltime: 36,1 mm / 1.421 inch;
Adancime: 48,9 mm / 1.925 inch;
Coding: B;
Mating force of a plug-in connection: approx. 20 ... 70 N (depending on pole number);
Retention force of a plug-in connection: When locked: > 80 N;
Unmating force of a plug-in connection: when unlocked: approx. 20 ... 70 N (depending
on pole number);
Number of mating cycles: > 200, without resistive load 100, with resistive load IN = 25
A, tested (4 mm²/AWG 12);
Distributor type: T-distribution connector;
Marking: 1 2 3 4;
Protection type: IP20;
Note on protection type: Only when mated (these compact connectors are not designed
for use in open, easily accessible areas.);
Potential marking: 1 2 3 4;
Suitable: for flying leads;
Tip contact (pluggable connector): Socket/plug;
Mismatching protection: Yes;
Locking of plug-in connection: locking lever;
Locking lever: yes;
Culoare: pink;
Material izolator: Polyamide 66 (PA 66);
Contact material: Copper or copper alloy (surface-treated);
Fire load: 0,447; MJ
Greutate: 22,2; g
Processing temperature: -5 ... +40 °C;
Continuous operating temperature: -35 ... +85 °C;
Note on continuous operating temperature: Insulating parts for temperatures ≤ 105 °C;
Product Group: 20 (WINSTA);
Tip ambalare: BOX;
Tara de origine: DE;
GTIN: 4050821702184;
Customs tariff number: 85366990990;
Pret: 33,49 lei (TVA inclus)

Detalii online: [https://www.materialeelectrice.ro/t-distribution-connector-4-pole-cod-b-1-
input-2-outputs-3-locking-levers-for-flying-leads-pink-151273](https://www.materialeelectrice.ro/t-distribution-connector-4-pole-cod-b-1-input-2-outputs-3-locking-levers-for-flying-leads-pink-151273)