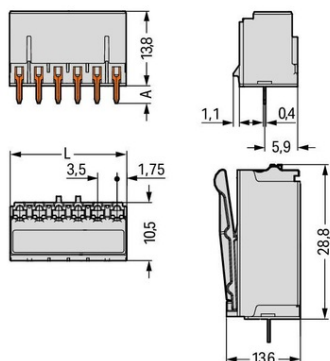


Furnizor: **Sc Trivolt Distribution SRL**
Reg. com.: J23/3300/2016
CIF: RO36421140
Adresa: Strada Apusului nr 3 (primul
sens giratoriu Tehodor Pallady-
Autostrada Soarelui), Catelu, Ilfov
Banca: BRD
IBAN: RO34BRDE441SV13182234410



**WAGO THR FEMALE HEADER; 0.4 X 0.9 MM SOLDER PIN; STRAIGHT;
PIN SPACING 3.5 MM; 2-POLE; LIGHT GRAY**

Ratings per: IEC/EN 60664-1;
Tensiune nominala (III/3): 160; V
Tensiune nominala de supratensiune (III/3): 2,5; kV
Tensiune nominala (III/2): 160; V
Tensiune nominala de supratensiune (III/2): 2,5; kV
Tensiune nominala (II/2): 320; V
Tensiune nominala de supratensiune (II/2): 2,5; kV
Curent nominal: 10; A
Legend (ratings): (III / 2) \hat{a} %™ Overvoltage category III / Pollution degree 2;
Tensiune nominala UL (Use Group B): 300; V
Curent nominal UL (Use Group B): 10; A
Tensiune nominala UL (Use Group D): 300; V
Curent nominal UL (Use Group D): 10; A
Certificari: UL 1059;
Numar poli: 2;
Total number of potentials: 2;
Numar tipuri de conexiuni: 1;
Numar nivele: 1;
Distanta intre pini: 3,5 mm / 0.138 inch;
Latime: 7 mm / 0.276 inch;
Inaltime: 16,2 mm / 0.638 inch;
Inaltime de la fata: 13,8 mm / 0.543 inch;
Adancime: 11,6 mm / 0.457 inch;
Lungimea pinului de contact: 2,4; mm
Solder pin dimensions: 0,4 x 0,9 mm;
Diametru placat prin gaura (THR): 1,1 (+0,1) mm;
Tip contact (pluggable connector): Conector mama/priza;
Connector (connection type): for PCB;
Mismatching protection: No;
Mating direction to the PCB: 90; °
PCB contact: THR;
Culoare: light gray;
Material group: I;
Material izolator: Polyphthalamide (PPA GF);
Flammability class per UL94: V0;
Contact material: Copper alloy;
Contact plating: tin-plated;
Fire load: 0,024; MJ
Greutate: 1; g
Temperatura lucru: -60 ... +100 °C;
Tip ambalare: BOX;
Tara de origine: DE;
GTIN: 4050821395935;
Customs tariff number: 85366990990;
Pret: 9,67 lei (TVA inclus)

Detalii online: <https://www.materialelectrice.ro/thr-female-header-0-4-x-0-9-mm-solder-pin-straight-pin-spacing-3-5-mm-2-pole-light-gray-150549>