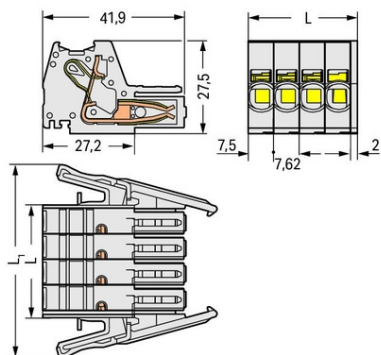


Furnizor: **Sc Trivolt Distribution SRL**  
Reg. com.: J23/3300/2016  
CIF: RO36421140  
Adresa: Strada Apusului nr 3 ( primul  
sens giratoriu Tehodor Pallady-  
Autostrada Soarelui), Catelu, Ilfov  
Banca: BRD  
IBAN: RO34BRDE441SV13182234410



**WAGO 1-CONDUCTOR FEMALE PLUG; 100% PROTECTED AGAINST  
MISMATING; LOCKING LEVER; DIRECT MARKING; 10 MM<sup>2</sup>; PIN  
SPACING 7.62 MM; 5-POLE; 10,00 MM<sup>2</sup>; LIGHT GRAY**

Ratings per: IEC/EN 60664-1;  
Tensiune nominala (III/3): 800; V  
Tensiune nominala de supratensiune (III/3): 8; kV  
Tensiune nominala (III/2): 1000; V  
Tensiune nominala de supratensiune (III/2): 8; kV  
Tensiune nominala (II/2): 1000; V  
Tensiune nominala de supratensiune (II/2): 8; kV  
Curent nominal: 41; A  
Legend (ratings): (III / 2)  $\hat{=}$  Overvoltage category III / Pollution degree 2;  
Tensiune nominala UL (Use Group C): 600; V  
Curent nominal UL (Use Group C): 42; A  
Certificari: UL 1059;  
Tensiune nominala CSA (Use Group C): 600; V  
Curent nominal CSA (Use Group C): 41; A  
Tehnologie conexiune: Push-in CAGE CLAMP®;  
Tip actionare: Operating tool;  
Solid conductor: 0,5 ... 10 mm<sup>2</sup> / 20 ... 8 AWG;  
Fine-stranded conductor: 0,5 ... 10 mm<sup>2</sup> / 20 ... 8 AWG;  
Fine-stranded conductor; with insulated ferrule: 0,5 ... 6 mm<sup>2</sup>;  
Fine-stranded conductor; with uninsulated ferrule: 0,5 ... 6 mm<sup>2</sup>;  
Strip length: 13 ... 15 mm / 0.51 ... 0.59 inch;  
Numar poli: 5;  
Numar total de conexiuni: 5;  
Total number of potentials: 5;  
Numar tipuri de conexiuni: 1;  
Numar nivele: 1;  
Distanta intre pini: 7,62 mm / 0.3 inch;  
Latime: 64,78 mm / 2.55 inch;  
Inaltime: 27,5 mm / 1.083 inch;  
Adancime: 41,9 mm / 1.65 inch;  
Tip contact (pluggable connector): Conector mama/priza;  
Connector (connection type): for conductors;  
Mismating protection: Yes;  
Locking of plug-in connection: locking lever;  
Culoare: light gray;  
Material group: I;  
Material izolator: Polyamide 66 (PA 66);  
Flammability class per UL94: V0;  
Clamping spring material: Chrome nickel spring steel (CrNi);  
Material of the additional spring for socket contact: Chrome nickel spring steel (CrNi);  
Contact material: Cupru electrolitic (ECu);  
Contact plating: tin-plated;  
Fire load: 0,638; MJ  
Greutate: 40,3; g  
Temperatura lucru: -60 ... +105 °C;  
Product Group: 3 (Multi Conn. System);  
Tip ambalare: BOX;  
Tara de origine: PL;  
GTIN: 4050821240792;  
Customs tariff number: 85366990990;  
Pret: 47,00 lei (TVA inclus)

Detalii online: <https://www.materialelectrice.ro/1-conductor-female-plug-100-protected-against-mismating-locking-lever-direct-marking-10-mm2-pin-spacing-7-62-mm-5-pole-10-00-mm2-light-gray-150490>