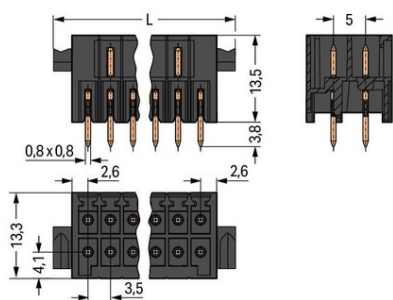


Furnizor: **Sc Trivolt Distribution SRL**  
 Reg. com.: J23/3300/2016  
 CIF: RO36421140  
 Adresa: Strada Apusului nr 3 ( primul  
 sens giratoriu Tehodor Pallady-  
 Autostrada Soarelui), Catelu, Ilfov  
 Banca: BRD  
 IBAN: RO34BRDE441SV13182234410



**WAGO THT MALE HEADER, 2-ROW; 0.8 X 0.8 MM SOLDER PIN;  
 STRAIGHT; 100% PROTECTED AGAINST MISMATING; LEVERS; PIN  
 SPACING 3.5 MM; 2 X 11-POLE; BLACK**

Ratings per: IEC/EN 60664-1;  
 Tensiune nominala (III/3): 80; V  
 Tensiune nominala de supratensiune (III/3): 2,5; kV  
 Tensiune nominala (III/2): 160; V  
 Tensiune nominala de supratensiune (III/2): 2,5; kV  
 Tensiune nominala (II/2): 250; V  
 Tensiune nominala de supratensiune (II/2): 2,5; kV  
 Curent nominal: 10; A  
 Legend (ratings): (III / 2)  $\hat{a}\%$ ™ Overvoltage category III / Pollution degree 2;  
 Tensiune nominala UL (Use Group B): 150; V  
 Curent nominal UL (Use Group B): 10; A  
 Tensiune nominala UL (Use Group C): 50; V  
 Curent nominal UL (Use Group C): 10; A  
 Certificari: UL 1059;  
 Tensiune nominala CSA (Use Group B): 150; V  
 Curent nominal CSA (Use Group B): 12; A  
 Numar poli: 22;  
 Total number of potentials: 22;  
 Numar tipuri de conexiuni: 1;  
 Numar nivele: 2;  
 Distanta intre pini: 3.5 mm / 0.138 inch;  
 Latime: 46.6 mm / 1.835 inch;  
 Inaltime: 17.3 mm / 0.681 inch;  
 Inaltime de la fata: 13.5 mm / 0.531 inch;  
 Adancime: 13.3 mm / 0.524 inch;  
 Lungimea pinului de contact: 3,8; mm  
 Solder pin dimensions: 0.8 x 0.8 mm;  
 Diametrul de gaurire cu toleranta: 1.2 (+0.1) mm;  
 Tip contact (pluggable connector): Conector tata/fisa;  
 Connector (connection type): for PCBs;  
 Mismatching protection: Yes;  
 Mating direction to the PCB: 90; °  
 Locking of plug-in connection: Locking lever;  
 PCB contact: THT;  
 Solder pin arrangement: over the entire male connector, in line;  
 Number of solder pins per potential: 1;  
 Culoare: black;  
 Material group: I;  
 Material izolator: Polyphthalamide (PPA GF);  
 Flammability class per UL94: V0;  
 Contact material: Cupru electrolitic(ECu);  
 Contact plating: tin-plated;  
 Fire load: 0,121; MJ  
 Greutate: 5,8; g  
 Temperatura lucru: -60 ... +100 °C;  
 Product Group: 3 (Multi Conn. System);  
 Tip ambalare: BOX;  
 Tara de origine: PL;  
 GTIN: 4045454808457;  
 Customs tariff number: 85366990990;  
 Pret: 28,95 lei (TVA inclus)

Detalii online: <https://www.materialelectrice.ro/tht-male-header-2-row-0-8-x-0-8-mm-solder-pin-straight-100-protected-against-mismatching-levers-pin-spacing-3-5-mm-2-x-11-pole-black-150484>