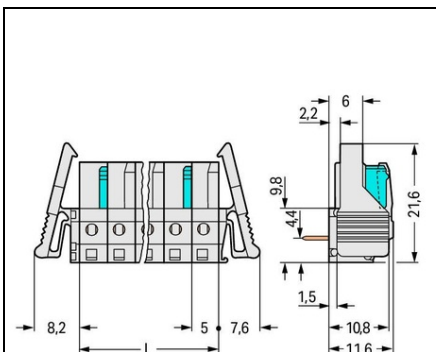


Furnizor: **Sc Trivolt Distribution SRL**  
 Reg. com.: J23/3300/2016  
 CIF: RO36421140  
 Adresa: Strada Apusului nr 3 ( primul  
 sens giratoriu Tehodor Pallady-  
 Autostrada Soarelui), Catelu, Ilfov  
 Banca: BRD  
 IBAN: RO34BRDE441SV13182234410



**WAGO THT FEMALE HEADER; 0.6 X 1.0 MM SOLDER PIN; ANGLED;  
 100% PROTECTED AGAINST MISMATING; LOCKING LEVER; PIN  
 SPACING 5 MM; 8-POLE; LIGHT GRAY**

Ratings per: IEC/EN 60664-1;  
 Tensiune nominala (III/3): 320; V  
 Tensiune nominala de supratensiune (III/3): 4; kV  
 Tensiune nominala (III/2): 320; V  
 Tensiune nominala de supratensiune (III/2): 4; kV  
 Tensiune nominala (II/2): 630; V  
 Tensiune nominala de supratensiune (II/2): 4; kV  
 Curent nominal: 12; A  
 Legend (ratings): (III / 2)  $\hat{=}$  Overvoltage category III / Pollution degree 2;  
 Tensiune nominala UL (Use Group B): 300; V  
 Curent nominal UL (Use Group B): 15; A  
 Tensiune nominala UL (Use Group D): 300; V  
 Curent nominal UL (Use Group D): 10; A  
 Certificari: UL 1059;  
 Tensiune nominala UL 1977: 600; V  
 Curent nominal UL 1977: 15; A  
 Tensiune nominala CSA (Use Group B): 300; V  
 Curent nominal CSA (Use Group B): 15; A  
 Tensiune nominala CSA (Use Group D): 300; V  
 Curent nominal CSA (Use Group D): 10; A  
 Numar poli: 8;  
 Total number of potentials: 8;  
 Numar tipuri de conexiuni: 1;  
 Numar nivele: 1;  
 Distanta intre pini: 5 mm / 0.197 inch;  
 Latime: 55,8 mm / 2.197 inch;  
 Inaltime: 16,6 mm / 0.654 inch;  
 Inaltime de la fata: 11,6 mm / 0.457 inch;  
 Adancime: 18,25 mm / 0.719 inch;  
 Lungimea pinului de contact: 5; mm  
 Solder pin dimensions: 0,6 x 1 mm;  
 Diametrul de gaurire cu toleranta: 1,3 (+0,1) mm;  
 Tip contact (pluggable connector): Conector mama/priza;  
 Connector (connection type): for PCB;  
 Mismatching protection: Yes;  
 Mating direction to the PCB: 0; °  
 Locking of plug-in connection: locking lever;  
 PCB contact: THT;  
 Solder pin arrangement: over the entire female connector (in-line);  
 Number of solder pins per potential: 1;  
 Culoare: light gray;  
 Material group: I;  
 Material izolator: Polyamide 66 (PA 66);  
 Flammability class per UL94: V0;  
 Contact material: Copper alloy;  
 Contact plating: tin-plated;  
 Fire load: 0,149; MJ  
 Greutate: 8,3; g  
 Temperatura lucru: -60 ... +85 °C;  
 Product Group: 3 (Multi Conn. System);  
 Tip ambalare: BOX;  
 Tara de origine: DE;  
 GTIN: 4044918580724;  
 Customs tariff number: 85366990990;  
 Pret: 24,66 lei (TVA inclus)

Detalii online: <https://www.materialelectrice.ro/tht-female-header-0-6-x-1-0-mm-solder-pin-angled-100-protected-against-mismatching-locking-lever-pin-spacing-5-mm-8-pole-light-gray-149462>