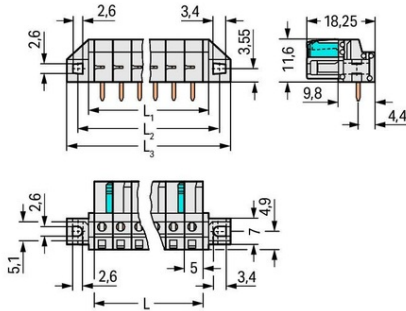


Furnizor: **Sc Trivolt Distribution SRL**
Reg. com.: J23/3300/2016
CIF: RO36421140
Adresa: Strada Apusului nr 3 (primul
sens giratoriu Tehodor Pallady-
Autostrada Soarelui), Catelu, Ilfov
Banca: BRD
IBAN: RO34BRDE441SV13182234410



**WAGO THT FEMALE HEADER; 0.6 X 1.0 MM SOLDER PIN; ANGLED;
100% PROTECTED AGAINST MISMATING; CLAMPING COLLAR; PIN
SPACING 5 MM; 14-POLE; LIGHT GRAY**

Ratings per: IEC/EN 60664-1;
Tensiune nominala (III/3): 320; V
Tensiune nominala de supratensiune (III/3): 4; kV
Tensiune nominala (III/2): 320; V
Tensiune nominala de supratensiune (III/2): 4; kV
Tensiune nominala (II/2): 630; V
Tensiune nominala de supratensiune (II/2): 4; kV
Curent nominal: 12; A
Legend (ratings): (III / 2) $\hat{\%}$ ™ Overvoltage category III / Pollution degree 2;
Tensiune nominala UL (Use Group B): 300; V
Curent nominal UL (Use Group B): 15; A
Tensiune nominala UL (Use Group D): 300; V
Curent nominal UL (Use Group D): 10; A
Certificari: UL 1059;
Tensiune nominala UL 1977: 600; V
Curent nominal UL 1977: 15; A
Tensiune nominala CSA (Use Group B): 300; V
Curent nominal CSA (Use Group B): 15; A
Tensiune nominala CSA (Use Group D): 300; V
Curent nominal CSA (Use Group D): 10; A
Numar poli: 14;
Total number of potentials: 14;
Numar tipuri de conexiuni: 1;
Numar nivele: 1;
Distanta intre pini: 5 mm / 0.197 inch;
Latime: 84.8 mm / 3.339 inch;
Inaltime: 16.6 mm / 0.654 inch;
Inaltime de la fata: 11.6 mm / 0.457 inch;
Adancime: 18.25 mm / 0.719 inch;
Lungimea pinului de contact: 5; mm
Solder pin dimensions: 0.6 x 1 mm;
Diametrul de gaurire cu toleranta: 1.3 (+0.1) mm;
Tip montaj: Mounting flange;
Tip montaj: Feed-through mounting; Panel mounting;
Tip contact (pluggable connector): Conector mama/priza;
Connector (connection type): for PCBs;
Mismating protection: Yes;
Mating direction to the PCB: 0; °
PCB contact: THT;
Solder pin arrangement: over the entire female connector, in line;
Number of solder pins per potential: 1;
Culoare: light gray;
Material group: I;
Material izolator: Polyamide 66 (PA 66);
Flammability class per UL94: V0;
Contact material: Copper alloy;
Contact plating: tin-plated;
Fire load: 0,232; MJ
Greutate: 13,6; g
Temperatura lucru: -60 ... +85 °C;
Product Group: 3 (Multi Conn. System);
Tip ambalare: BOX;
Tara de origine: DE;
GTIN: 4045454846138;
Customs tariff number: 85366990990;
Pret: 40,07 lei (TVA inclus)

Detalii online: <https://www.materialelectrice.ro/tht-female-header-0-6-x-1-0-mm-solder-pin-angled-100-protected-against-mismating-clamping-collar-pin-spacing-5-mm-14-pole-light-gray-149436>