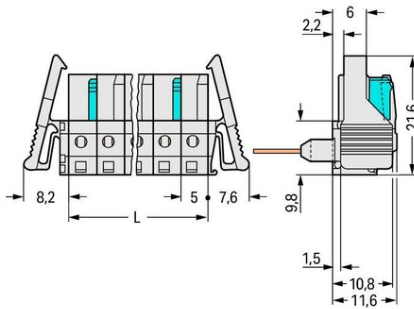


Furnizor: **Sc Trivolt Distribution SRL**
Reg. com.: J23/3300/2016
CIF: RO36421140
Adresa: Strada Apusului nr 3 (primul
sens giratoriu Tehodor Pallady-
Autostrada Soarelui), Catelu, Ilfov
Banca: BRD
IBAN: RO34BRDE441SV13182234410



**WAGO FEMALE CONNECTOR FOR RAIL-MOUNT TERMINAL BLOCKS;
0.6 X 1 MM PINS; ANGLED; 100% PROTECTED AGAINST MISMATING;
LOCKING LEVER; PIN SPACING 5 MM; 16-POLE; LIGHT GRAY**

Ratings per: IEC/EN 60664-1;
Tensiune nominala (III/3): 320; V
Tensiune nominala de supratensiune (III/3): 4; kV
Tensiune nominala (III/2): 320; V
Tensiune nominala de supratensiune (III/2): 4; kV
Tensiune nominala (II/2): 630; V
Tensiune nominala de supratensiune (II/2): 4; kV
Curent nominal: 12; A
Legend (ratings): (III / 2) $\hat{=}$ Overvoltage category III / Pollution degree 2;
Tensiune nominala UL (Use Group B): 300; V
Curent nominal UL (Use Group B): 15; A
Tensiune nominala UL (Use Group D): 300; V
Curent nominal UL (Use Group D): 10; A
Certificari: UL 1059;
Tensiune nominala UL 1977: 600; V
Curent nominal UL 1977: 15; A
Tensiune nominala CSA (Use Group B): 300; V
Curent nominal CSA (Use Group B): 15; A
Tensiune nominala CSA (Use Group D): 300; V
Curent nominal CSA (Use Group D): 10; A
Numar poli: 16;
Total number of potentials: 16;
Numar tipuri de conexiuni: 1;
Numar nivele: 1;
Distanta intre pini: 5 mm / 0.197 inch;
Latime: 95,8 mm / 3.772 inch;
Inaltime: 26,1 mm / 1.028 inch;
Inaltime de la fata: 11,6 mm / 0.457 inch;
Adancime: 18,25 mm / 0.719 inch;
Tip contact (pluggable connector): Conector mama/priza;
Connector (connection type): for front-entry rail-mount terminal block;
Mismating protection: Yes;
Locking of plug-in connection: locking lever;
Mating direction to the rail-mount terminal block: 0; °
Culoare: light gray;
Material group: I;
Material izolator: Polyamide 66 (PA 66);
Flammability class per UL94: V0;
Contact material: Copper alloy;
Contact plating: tin-plated;
Fire load: 0,307; MJ
Greutate: 17,8; g
Temperatura lucru: -60 ... +85 °C;
Product Group: 3 (Multi Conn. System);
Tip ambalare: BOX;
Tara de origine: DE;
GTIN: 4044918572569;
Customs tariff number: 85366990990;
Pret: 70,86 lei (TVA inclus)

Detalii online: <https://www.materialelectrice.ro/female-connector-for-rail-mount-terminal-blocks-0-6-x-1-mm-pins-angled-100-protected-against-mismating-locking-lever-pin-spacing-5-mm-16-pole-light-gray-149429>