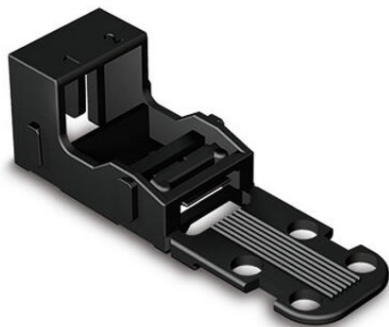


Furnizor: **Sc Trivolt Distribution SRL**  
Reg. com.: J23/3300/2016  
CIF: RO36421140  
Adresa: Strada Apusului nr 3 ( primul  
sens giratoriu Tehodor Pallady-  
Autostrada Soarelui), Catelu, Ilfov  
Banca: BRD  
IBAN: RO34BRDE441SV13182234410



**WAGO MOUNTING CARRIER; FOR 2-CONDUCTOR TERMINAL  
BLOCKS; 221 SERIES - 4 MM<sup>2</sup>; WITH SNAP-IN MOUNTING FOOT  
FOR VERTICAL MOUNTING; BLACK**

Latime: 18.1 mm / 0.713 inch;  
Inaltime: 57.3 mm / 2.256 inch;  
Inaltime de la fata: 52.8 mm / 2.079 inch;  
Adancime: 16.9 mm / 0.665 inch;  
Culoare: black;  
Material izolator: Polyamide 66 (PA 66);  
Flammability class per UL94: V0;  
Greutate: 2,7; g  
Tip ambalare: BOX;  
Tara de origine: CN;  
GTIN: 4055143595889;  
Customs tariff number: 39269097900;  
Pret: 3,28 lei (TVA inclus)

Detalii online: <https://www.materialeelectrice.ro/mounting-carrier-for-2-conductor-terminal-blocks-221-series-4-mm2-with-snap-in-mounting-foot-for-vertical-mounting-black-147332>