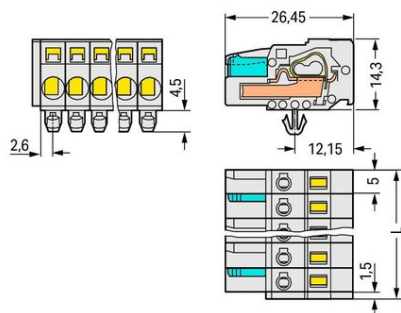


Furnizor: **Sc Trivolt Distribution SRL**
 Reg. com.: J23/3300/2016
 CIF: RO36421140
 Adresa: Strada Apusului nr 3 (primul
 sens giratoriu Tehodor Pallady-
 Autostrada Soarelui), Catelu, Ilfov
 Banca: BRD
 IBAN: RO34BRDE441SV13182234410



**WAGO 1-CONDUCTOR FEMALE PLUG; 100% PROTECTED AGAINST
 MISMATING; SNAP-IN MOUNTING FEET; 2.5 MM²; PIN SPACING 5
 MM; 2-POLE; 2,50 MM²; LIGHT GRAY**

Ratings per: IEC/EN 60664-1;
 Tensiune nominala (III/3): 320; V
 Tensiune nominala de supratensiune (III/3): 4; kV
 Tensiune nominala (III/2): 320; V
 Tensiune nominala de supratensiune (III/2): 4; kV
 Tensiune nominala (II/2): 630; V
 Tensiune nominala de supratensiune (II/2): 4; kV
 Curent nominal: 16; A
 Legend (ratings): (III / 2) $\hat{=}$ Overvoltage category III / Pollution degree 2;
 Tensiune nominala UL (Use Group B): 300; V
 Curent nominal UL (Use Group B): 15; A
 Tensiune nominala UL (Use Group D): 300; V
 Curent nominal UL (Use Group D): 10; A
 Certificari: UL 1059;
 Tensiune nominala UL 1977: 600; V
 Curent nominal UL 1977: 15; A
 Tensiune nominala CSA (Use Group B): 300; V
 Curent nominal CSA (Use Group B): 15; A
 Tensiune nominala CSA (Use Group D): 300; V
 Curent nominal CSA (Use Group D): 10; A
 Tehnologie conexiune: CAGE CLAMP®;
 Tip actionare: Operating tool;
 Solid conductor: 0,08 ... 2,5 mm² / 28 ... 12 AWG;
 Fine-stranded conductor: 0,08 ... 2,5 mm² / 28 ... 12 AWG;
 Fine-stranded conductor; with insulated ferrule: 0,25 ... 1,5 mm²;
 Fine-stranded conductor; with uninsulated ferrule: 0,25 ... 2,5 mm²;
 Strip length: 8 ... 9 mm / 0.31 ... 0.35 inch;
 Numar poli: 2;
 Numar total de conexiuni: 2;
 Total number of potentials: 2;
 Numar tipuri de conexiuni: 1;
 Numar nivele: 1;
 Conductor entry direction to mating direction: 0; °
 Distanta intre pini: 5 mm / 0.197 inch;
 Latime: 11,5 mm / 0.453 inch;
 Inaltime: 18,8 mm / 0.74 inch;
 Inaltime de la fata: 14,3 mm / 0.563 inch;
 Adancime: 26,45 mm / 1.041 inch;
 Housing sheet thickness: 0,6 ... 1,2 mm / 0.024 ... 0.047 inch;
 Tip montaj: Snap-in mounting foot;
 Tip montaj: Panel mounting;
 Tip contact (pluggable connector): Conector mama/priza;
 Connector (connection type): for conductor;
 Mismatching protection: Yes;
 Culoare: light gray;
 Material group: I;
 Material izolator: Polyamide 66 (PA 66);
 Flammability class per UL94: V0;
 Clamping spring material: Chrome nickel spring steel (CrNi);
 Contact material: Copper alloy;
 Contact plating: tin-plated;
 Fire load: 0,06; MJ
 Greutate: 3,9; g
 Temperatura lucru: -60 ... +85 °C;
 Product Group: 3 (Multi Conn. System);
 Tip ambalare: BOX;
 Tara de origine: DE;
 GTIN: 4044918352871;
 Customs tariff number: 85366990990;
 Pret: 8,60 lei (TVA inclus)

Detalii online: <https://www.materialelectrice.ro/1-conductor-female-plug-100-protected-against-mismatching-snap-in-mounting-feet-2-5-mm2-pin-spacing-5-mm-2-pole-2-50-mm2-light-gray-145751>