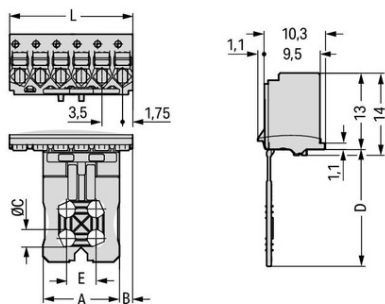


Furnizor: **Sc Trivolt Distribution SRL**
Reg. com.: J23/3300/2016
CIF: RO36421140
Adresa: Strada Apusului nr 3 (primul
sens giratoriu Tehodor Pallady-
Autostrada Soarelui), Catelu, Ilfov
Banca: BRD
IBAN: RO34BRDE441SV13182234410



WAGO 1-CONDUCTOR FEMALE PLUG; GRIPPING PLATE; DIRECT MARKING; 1.5 MM²; PIN SPACING 3.5 MM; 10-POLE; 1,50 MM²; LIGHT GRAY

Ratings per: IEC/EN 60664-1;
Tensiune nominala (III/3): 160; V
Tensiune nominala de supratensiune (III/3): 2,5; kV
Tensiune nominala (III/2): 160; V
Tensiune nominala de supratensiune (III/2): 2,5; kV
Tensiune nominala (II/2): 320; V
Tensiune nominala de supratensiune (II/2): 2,5; kV
Curent nominal: 10; A
Legend (ratings): (III / 2) $\hat{a}\%$ ™ Overvoltage category III / Pollution degree 2;
Tensiune nominala UL (Use Group B): 300; V
Curent nominal UL (Use Group B): 10; A
Tensiune nominala UL (Use Group D): 300; V
Curent nominal UL (Use Group D): 10; A
Certificari: UL 1059;
Tehnologie conexiune: Push-in CAGE CLAMP®;
Tip actionare: Push-button;
Solid conductor: 0.2 ... 1.5 mm² / 24 ... 14 AWG;
Fine-stranded conductor: 0.2 ... 1.5 mm² / 24 ... 14 AWG;
Fine-stranded conductor; with insulated ferrule: 0.25 ... 0.75 mm²;
Fine-stranded conductor; with uninsulated ferrule: 0.25 ... 1.5 mm²;
Strip length: 8 ... 9 mm / 0.31 ... 0.35 inch;
Numar poli: 10;
Numar total de conexiuni: 10;
Total number of potentials: 10;
Numar tipuri de conexiuni: 1;
Numar nivele: 1;
Distanta intre pini: 3.5 mm / 0.138 inch;
Latime: 35 mm / 1.378 inch;
Inaltime: 38 mm / 1.496 inch;
Adancime: 11.4 mm / 0.449 inch;
Design: With gripping plate;
Tip contact (pluggable connector): Conector mama/priza;
Connector (connection type): for conductors;
Mismatching protection: No;
Culoare: light gray;
Material group: I;
Material izolator: Polyphthalamide (PPA GF);
Flammability class per UL94: V0;
Clamping spring material: Chrome nickel spring steel (CrNi);
Contact material: Cupru electrolitic(ETu);
Contact plating: tin-plated;
Fire load: 0,128; MJ
Greutate: 5,2; g
Temperatura lucru: -60 ... +100 °C;
Tip ambalare: BOX;
Tara de origine: DE;
GTIN: 4050821365884;
Customs tariff number: 85366990990;
Pret: 33,86 lei (TVA inclus)

Detalii online: <https://www.materialelectrice.ro/1-conductor-female-plug-gripping-plate-direct-marking-1-5-mm2-pin-spacing-3-5-mm-10-pole-1-50-mm2-light-gray-144595>