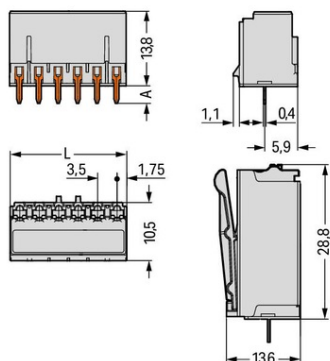


Furnizor: **Sc Trivolt Distribution SRL**  
Reg. com.: J23/3300/2016  
CIF: RO36421140  
Adresa: Strada Apusului nr 3 ( primul  
sens giratoriu Tehodor Pallady-  
Autostrada Soarelui), Catelu, Ilfov  
Banca: BRD  
IBAN: RO34BRDE441SV13182234410



**WAGO THR FEMALE HEADER; 0.4 X 0.9 MM SOLDER PIN; STRAIGHT;  
PIN SPACING 3.5 MM; 6-POLE; LIGHT GRAY**

Ratings per: IEC/EN 60664-1;  
Tensiune nominala (III/3): 160; V  
Tensiune nominala de supratensiune (III/3): 2,5; kV  
Tensiune nominala (III/2): 160; V  
Tensiune nominala de supratensiune (III/2): 2,5; kV  
Tensiune nominala (II/2): 320; V  
Tensiune nominala de supratensiune (II/2): 2,5; kV  
Curent nominal: 10; A  
Legend (ratings): (III / 2) %™ Overvoltage category III / Pollution degree 2;  
Tensiune nominala UL (Use Group B): 300; V  
Curent nominal UL (Use Group B): 10; A  
Tensiune nominala UL (Use Group D): 300; V  
Curent nominal UL (Use Group D): 10; A  
Certificari: UL 1059;  
Numar poli: 6;  
Total number of potentials: 6;  
Numar tipuri de conexiuni: 1;  
Numar nivele: 1;  
Distanta intre pini: 3,5 mm / 0.138 inch;  
Latime: 21 mm / 0.827 inch;  
Inaltime: 16,2 mm / 0.638 inch;  
Inaltime de la fata: 13,8 mm / 0.543 inch;  
Adancime: 11,6 mm / 0.457 inch;  
Lungimea pinului de contact: 2,4; mm  
Solder pin dimensions: 0,4 x 0,9 mm;  
Diametru placat prin gaura (THR): 1,1 (+0,1) mm;  
Tip contact (pluggable connector): Conector mama/priza;  
Connector (connection type): for PCB;  
Mismatching protection: No;  
Mating direction to the PCB: 90; °  
PCB contact: THR;  
Culoare: light gray;  
Material group: I;  
Material izolator: Polyphthalamide (PPA GF);  
Flammability class per UL94: V0;  
Contact material: Copper alloy;  
Contact plating: tin-plated;  
Fire load: 0,075; MJ  
Greutate: 3,1; g  
Temperatura lucru: -60 ... +100 °C;  
Tip ambalare: BOX;  
Tara de origine: DE;  
GTIN: 4050821395959;  
Customs tariff number: 85366990990;  
Pret: 21,56 lei (TVA inclus)

Detalii online: <https://www.materialelectrice.ro/thr-female-header-0-4-x-0-9-mm-solder-pin-straight-pin-spacing-3-5-mm-6-pole-light-gray-144558>