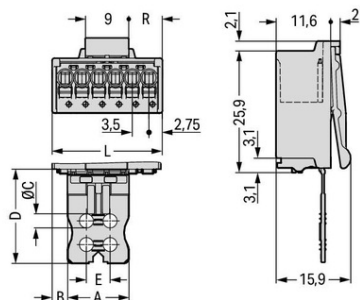


Furnizor: **Sc Trivolt Distribution SRL**
Reg. com.: J23/3300/2016
CIF: RO36421140
Adresa: Strada Apusului nr 3 (primul
sens giratoriu Tehodor Pallady-
Autostrada Soarelui), Catelu, Ilfov
Banca: BRD
IBAN: RO34BRDE441SV13182234410



WAGO 1-CONDUCTOR MALE CONNECTOR; GRIPPING PLATE; DIRECT MARKING; 1.5 MM²; PIN SPACING 3.5 MM; 3-POLE; 1,50 MM²; LIGHT GRAY

Ratings per: IEC/EN 60664-1;
Tensiune nominala (III/3): 160; V
Tensiune nominala de supratensiune (III/3): 2,5; kV
Tensiune nominala (III/2): 160; V
Tensiune nominala de supratensiune (III/2): 2,5; kV
Tensiune nominala (II/2): 320; V
Tensiune nominala de supratensiune (II/2): 2,5; kV
Curent nominal: 10; A
Legend (ratings): (III / 2) \hat{a} %TM Overvoltage category III / Pollution degree 2;
Tensiune nominala UL (Use Group B): 300; V
Curent nominal UL (Use Group B): 10; A
Tensiune nominala UL (Use Group D): 300; V
Curent nominal UL (Use Group D): 10; A
Certificari: UL 1059;
Tehnologie conexiune: Push-in CAGE CLAMP®;
Tip actionare: Push-button;
Solid conductor: 0,2 ... 1,5 mm² / 24 ... 14 AWG;
Fine-stranded conductor: 0,2 ... 1,5 mm² / 24 ... 14 AWG;
Fine-stranded conductor; with insulated ferrule: 0,25 ... 0,75 mm²;
Fine-stranded conductor; with uninsulated ferrule: 0,25 ... 1,5 mm²;
Strip length: 8 ... 9 mm / 0.31 ... 0.35 inch;
Numar poli: 3;
Numar total de conexiuni: 3;
Total number of potentials: 3;
Numar tipuri de conexiuni: 1;
Numar nivele: 1;
Distanta intre pini: 3,5 mm / 0.138 inch;
Latime: 10,5 mm / 0.413 inch;
Inaltime: 15,9 mm / 0.626 inch;
Adancime: 44 mm / 1.732 inch;
Design: With gripping plate;
Tip contact (pluggable connector): Conector tata/fisa;
Connector (connection type): for conductor;
Mismatching protection: No;
Locking of plug-in connection: Locking latch;
Culoare: light gray;
Material group: I;
Material izolator: Polyphthalamide (PPA GF);
Flammability class per UL94: V0;
Clamping spring material: Chrome nickel spring steel (CrNi);
Contact material: Cupru electrolitic (ECu);
Contact plating: tin-plated;
Greutate: 3,7; g
Temperatura lucru: -60 ... +100 °C;
Tip ambalare: BOX;
Tara de origine: DE;
GTIN: 4055143622981;
Customs tariff number: 85366990990;
Pret: 17,08 lei (TVA inclus)

Detalii online: <https://www.materialeelectrice.ro/1-conductor-male-connector-gripping-plate-direct-marking-1-5-mm2-pin-spacing-3-5-mm-3-pole-1-50-mm2-light-gray-144484>