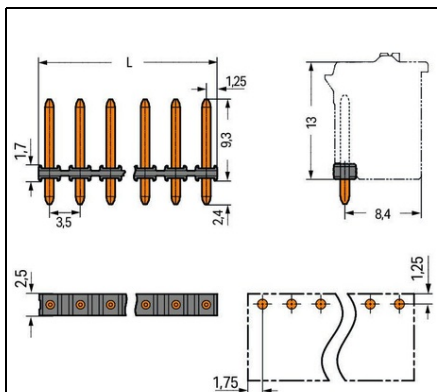


Furnizor: **Sc Trivolt Distribution SRL**  
Reg. com.: J23/3300/2016  
CIF: RO36421140  
Adresa: Strada Apusului nr 3 ( primul  
sens giratoriu Tehodor Pallady-  
Autostrada Soarelui), Catelu, Ilfov  
Banca: BRD  
IBAN: RO34BRDE441SV13182234410



**WAGO SOLDER PIN STRIP; 1.0 MM Ø SOLDER PIN; STRAIGHT; PIN  
SPACING 3.5 MM; 4-POLE; BLACK**

Ratings per: IEC/EN 60664-1;  
Tensiune nominala (III/3): 160; V  
Tensiune nominala de supratensiune (III/3): 2,5; kV  
Tensiune nominala (III/2): 160; V  
Tensiune nominala de supratensiune (III/2): 2,5; kV  
Tensiune nominala (II/2): 320; V  
Tensiune nominala de supratensiune (II/2): 2,5; kV  
Curent nominal: 10; A  
Legend (ratings): (III / 2) % Overvoltage category III / Pollution degree 2;  
Certificari: UL 1059;  
Numar poli: 4;  
Numar tipuri de conexiuni: 1;  
Numar nivele: 1;  
Distanta intre pini: 3.5 mm / 0.138 inch;  
Latime: 15.5 mm / 0.610 inch;  
Inaltime: 11.7 mm / 0.461 inch;  
Inaltime de la fata: 9.3 mm / 0.366 inch;  
Adancime: 2.5 mm / 0.098 inch;  
Lungimea pinului de contact: 2,4; mm  
Diametrul pinului de contact: 1; mm  
Diametru placat prin gaura (THR): 1.2 (+0.1) mm;  
Tip contact (pluggable connector): Conector tata/fisa;  
Connector (connection type): for PCBs;  
Mismatching protection: No;  
Mating direction to the PCB: 90; °  
PCB contact: THR;  
Culoare: black;  
Material group: I;  
Material izolator: Polyphthalamide (PPA GF);  
Flammability class per UL94: V0;  
Contact material: Cupru electrolytic(ESu);  
Contact plating: tin-plated;  
Greutate: 0,4; g  
Temperatura lucru: -60 ... +100 °C;  
Tip ambalare: bag;  
Tara de origine: CN;  
GTIN: 4055143935500;  
Customs tariff number: 85369010000;  
Pret: 3,46 lei (TVA inclus)

Detalii online: <https://www.materialelectrice.ro/solder-pin-strip-1-0-mm-oe-solder-pin-straight-pin-spacing-3-5-mm-4-pole-black-144468>