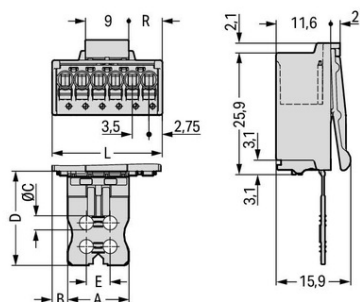


Furnizor: **Sc Trivolt Distribution SRL**  
Reg. com.: J23/3300/2016  
CIF: RO36421140  
Adresa: Strada Apusului nr 3 ( primul  
sens giratoriu Tehodor Pallady-  
Autostrada Soarelui), Catelu, Ilfov  
Banca: BRD  
IBAN: RO34BRDE441SV13182234410



**WAGO 1-CONDUCTOR MALE CONNECTOR; GRIPPING PLATE; 1.5 MM<sup>2</sup>; PIN SPACING 3.5 MM; 2-POLE; 1,50 MM<sup>2</sup>; LIGHT GRAY**

Ratings per: IEC/EN 60664-1;  
Tensiune nominala (III/3): 160; V  
Tensiune nominala de supratensiune (III/3): 2,5; kV  
Tensiune nominala (III/2): 160; V  
Tensiune nominala de supratensiune (III/2): 2,5; kV  
Tensiune nominala (II/2): 320; V  
Tensiune nominala de supratensiune (II/2): 2,5; kV  
Curent nominal: 10; A  
Legend (ratings): (III / 2)  $\hat{a}$ %<sup>TM</sup> Overvoltage category III / Pollution degree 2;  
Tensiune nominala UL (Use Group B): 300; V  
Curent nominal UL (Use Group B): 10; A  
Tensiune nominala UL (Use Group D): 300; V  
Curent nominal UL (Use Group D): 10; A  
Certificari: UL 1059;  
Tehnologie conexiune: Push-in CAGE CLAMP®;  
Tip actionare: Push-button;  
Solid conductor: 0,2 ... 1,5 mm<sup>2</sup> / 24 ... 14 AWG;  
Fine-stranded conductor: 0,2 ... 1,5 mm<sup>2</sup> / 24 ... 14 AWG;  
Fine-stranded conductor; with insulated ferrule: 0,25 ... 0,75 mm<sup>2</sup>;  
Fine-stranded conductor; with uninsulated ferrule: 0,25 ... 1,5 mm<sup>2</sup>;  
Strip length: 8 ... 9 mm / 0.31 ... 0.35 inch;  
Numar poli: 2;  
Numar total de conexiuni: 2;  
Total number of potentials: 2;  
Numar tipuri de conexiuni: 1;  
Numar nivele: 1;  
Distanta intre pini: 3,5 mm / 0.138 inch;  
Latime: 9 mm / 0.354 inch;  
Inaltime: 15,9 mm / 0.626 inch;  
Adancime: 44 mm / 1.732 inch;  
Design: With gripping plate;  
Tip contact (pluggable connector): Conector tata/fisa;  
Connector (connection type): for conductors;  
Mismatching protection: No;  
Locking of plug-in connection: Male locking latch;  
Culoare: light gray;  
Material group: I;  
Material izolator: Polyphthalamide (PPA GF);  
Flammability class per UL94: V0;  
Clamping spring material: Chrome nickel spring steel (CrNi);  
Contact material: Cupru electrolitic (ECu);  
Contact plating: tin-plated;  
Fire load: 0,072; MJ  
Greutate: 2,8; g  
Temperatura lucru: -60 ... +100 °C;  
Product Group: 26 (picoMAX);  
Tip ambalare: BOX;  
Tara de origine: DE;  
GTIN: 4050821161318;  
Customs tariff number: 85366990990;  
Pret: 11,47 lei (TVA inclus)

Detalii online: <https://www.materialelectrice.ro/1-conductor-male-connector-gripping-plate-1-5-mm2-pin-spacing-3-5-mm-2-pole-1-50-mm2-light-gray-143932>