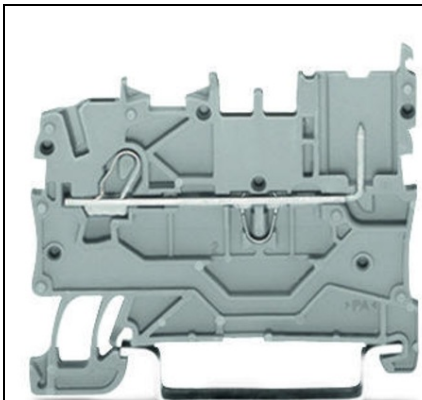


Furnizor: **Sc Trivolt Distribution SRL**
Reg. com.: J23/3300/2016
CIF: RO36421140
Adresa: Strada Apusului nr 3 (primul
sens giratoriu Tehodor Pallady-
Autostrada Soarelui), Catelu, Ilfov
Banca: BRD
IBAN: RO34BRDE441SV13182234410



**WAGO 1-CONDUCTOR/1-PIN CARRIER TERMINAL BLOCK; FOR DIN-
RAIL 35 X 15 AND 35 X 7.5; PUSH-IN CAGE CLAMP®; 1,00 MM²;
BLUE**

Ratings per: IEC/EN 60947-7-1;
Tensiune nominala (III/3): 500; V
Tensiune nominala de supratensiune (III/3): 6; kV
Curent nominal: 13,5; A
Legend (ratings): (III / 3) %™ Overvoltage category III / Pollution degree 3;
Tensiune nominala UL (Use Group B): 300; V
Curent nominal UL (Use Group B): 15; A
Tensiune nominala UL (Use Group C): 300; V
Curent nominal UL (Use Group C): 15; A
Tensiune nominala UL (Use Group D): 300; V
Curent nominal UL (Use Group D): 15; A
Certificari: UL 1059;
Tensiune nominala CSA (Use Group B): 300; V
Curent nominal CSA (Use Group B): 10; A
Tensiune nominala CSA (Use Group C): 300; V
Curent nominal CSA (Use Group C): 10; A
Tehnologie conexiune: Push-in CAGE CLAMP®;
Tip actionare: Open Tool Slot; Push-in;
Connectable conductor materials: Copper;
Nominal cross-section: 1 mm²;
Solid conductor: 0.14 ... 1.5 mm² / 24 ... 16 AWG;
Solid conductor; push-in termination: 0.5 ... 1.5 mm² / 20 ... 16 AWG;
Fine-stranded conductor: 0.14 ... 1.5 mm² / 24 ... 16 AWG;
Fine-stranded conductor; with insulated ferrule: 0.5 ... 0.75 mm² / 20 ... 18 AWG;
Fine-stranded conductor; with ferrule; push-in termination: 0.5 ... 0.75 mm² / 20 ... 18 AWG;
Strip length: 9 ... 11 mm / 0.35 ... 0.43 inch;
Numar total de conexiuni: 1;
Total number of potentials: 1;
Numar nivele: 1;
Wiring type: Front-entry wiring;
Note (conductor cross-section): Depending on the conductor characteristic, a conductor with a smaller cross section can also be inserted via push-in termination.;
Latime: 3.5 mm / 0.138 inch;
Inaltime from upper-edge of DIN-rail: 32.5 mm / 1.28 inch;
Adancime: 48.5 mm / 1.909 inch;
Design: horizontal;
Tip montaj: DIN-35 rail;
Marking level: Center/side marking;
Culoare: blue;
Material izolator: Polyamide 66 (PA 66);
Fire load: 0,082; MJ
Greutate: 3,6; g
Product Group: 18 (X-COM-System);
Tip ambalare: BOX;
Tara de origine: CN;
GTIN: 4050821145394;
Customs tariff number: 85366990990;
Pret: 5,84 lei (TVA inclus)

Detalii online: <https://www.materialelectrice.ro/1-conductor-1-pin-carrier-terminal-block-for-din-rail-35-x-15-and-35-x-7-5-push-in-cage-clamp-1-00-mm2-blue-143868>