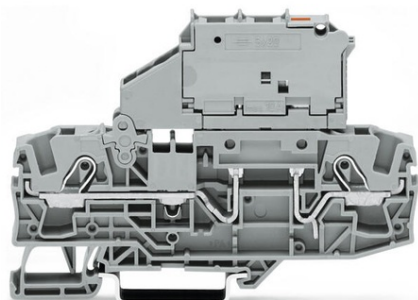


Furnizor: **Sc Trivolt Distribution SRL**  
Reg. com.: J23/3300/2016  
CIF: RO36421140  
Adresa: Strada Apusului nr 3 ( primul  
sens giratoriu Tehodor Pallady-  
Autostrada Soarelui), Catelu, Ilfov  
Banca: BRD  
IBAN: RO34BRDE441SV13182234410



**WAGO 2-CONDUCTOR FUSE TERMINAL BLOCK; WITH PIVOTING FUSE HOLDER; FOR 5 X 20 MM MINIATURE METRIC FUSE; WITH BLOWN FUSE INDICATION BY LED; 230 V; FOR DIN-RAIL 35 X 15 AND 35 X 7.5; 6 MM<sup>2</sup>; PUSH-IN CAGE CLAMP®; 6,00 MM<sup>2</sup>; GRAY**

Ratings per: IEC/EN 60947-7-3;  
Tensiune nominala (III/3): 800; V  
Tensiune nominala de supratensiune (III/3): 8; kV  
Curent nominal: 10; A  
Operation status indicator: 230 V;  
Legend (ratings): (III / 3) à‰™ Overvoltage category III / Pollution degree 3;  
Tensiune nominala CSA (Use Group B): 600; V  
Curent nominal CSA (Use Group B): 15; A  
Tensiune nominala CSA (Use Group C): 600; V  
Curent nominal CSA (Use Group C): 15; A  
Tehnologie conexiune: Push-in CAGE CLAMP®;  
Tip actionare: Push-in; Open Tool Slot;  
Connectable conductor materials: Copper;  
Nominal cross-section: 6 mm<sup>2</sup>;  
Solid conductor: 0,5 ... 10 mm<sup>2</sup> / 20 ... 8 AWG;  
Solid conductor; push-in termination: 2,5 ... 10 mm<sup>2</sup> / 14 ... 8 AWG;  
Fine-stranded conductor: 0,5 ... 10 mm<sup>2</sup> / 20 ... 8 AWG;  
Fine-stranded conductor; with insulated ferrule: 2,5 ... 6 mm<sup>2</sup> / 16 ... 10 AWG;  
Fine-stranded conductor; with ferrule; push-in termination: 2,5 ... 6 mm<sup>2</sup> / 16 ... 10 AWG;  
Strip length: 13 ... 15 mm / 0.51 ... 0.59 inch;  
Numar total de conexiuni: 2;  
Total number of potentials: 1;  
Numar nivele: 1;  
Wiring type: Front-entry wiring;  
Note (conductor cross-section): Depending on the conductor characteristic, a conductor with a smaller cross section can also be inserted via push-in termination.;  
Number of jumper slots: 2;  
Latime: 7,5 mm / 0.295 inch;  
Inaltime from upper-edge of DIN-rail: 59 mm / 2.323 inch;  
Adancime: 96,3 mm / 3.791 inch;  
Design: horizontal;  
Tip montaj: DIN-35 rail;  
Marking level: Center/side marking;  
Culoare: gray;  
Material izolator: Polyamide 66 (PA 66);  
Greutate: 25,4; g  
Product Group: 22 (TOPJOB S);  
Tip ambalare: BOX;  
Tara de origine: DE;  
GTIN: 4045454824020;  
Customs tariff number: 85369095990;  
Pret: 70,17 lei (TVA inclus)

Detalii online: <https://www.materialeelectrice.ro/2-conductor-fuse-terminal-block-with-pivoting-fuse-holder-for-5-x-20-mm-miniature-metric-fuse-with-blown-fuse-indication-by-led-230-v-for-din-rail-35-x-15-and-35-x-7-5-6-mm2-push-in-cage-clamp-6-00-mm2-gray-143521>