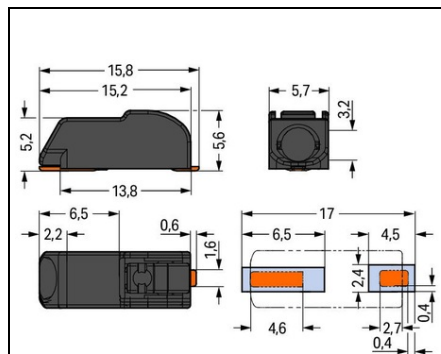


Furnizor: **Sc Trivolt Distribution SRL**  
Reg. com.: J23/3300/2016  
CIF: RO36421140  
Adresa: Strada Apusului nr 3 ( primul  
sens giratoriu Tehodor Pallady-  
Autostrada Soarelui), Catelu, Ilfov  
Banca: BRD  
IBAN: RO34BRDE441SV13182234410



**WAGO SMD PCB TERMINAL BLOCK; PUSH-BUTTON; 1.5 MM<sup>2</sup>; PIN  
SPACING 6 MM; 1-POLE; PUSH-IN CAGE CLAMP<sup>®</sup>; IN TAPE-AND-  
REEL PACKAGING; 1.50 MM<sup>2</sup>; BLACK**

Ratings per: IEC/EN 60664-1;  
Tensiune nominala (III/3): 250; V  
Tensiune nominala de supratensiune (III/3): 4; kV  
Tensiune nominala (III/2): 320; V  
Tensiune nominala de supratensiune (III/2): 4; kV  
Tensiune nominala (II/2): 630; V  
Tensiune nominala de supratensiune (II/2): 4; kV  
Curent nominal: 17,5; A  
Legend (ratings): (III / 2)  $\hat{\%}$ ™ Overvoltage category III / Pollution degree 2;  
Tensiune nominala UL (Use Group B): 600; V  
Curent nominal UL (Use Group B): 10; A  
Tensiune nominala UL (Use Group D): 600; V  
Curent nominal UL (Use Group D): 5; A  
Certificari: UL 1059;  
Tehnologie conexiune: Push-in CAGE CLAMP<sup>®</sup>;  
Tip actionare: Push-button;  
Solid conductor: 0,5 ... 1,5 mm<sup>2</sup> / 20 ... 16 AWG;  
Fine-stranded conductor: 0,5 ... 1,5 mm<sup>2</sup> / 20 ... 16 AWG;  
Fine-stranded conductor; with insulated ferrule: 0,5 ... 0,75 mm<sup>2</sup>;  
Fine-stranded conductor; with uninsulated ferrule: 0,5 ... 0,75 mm<sup>2</sup>;  
Strip length: 7 ... 10 mm / 0.28 ... 0.39 inch;  
Conductor connection direction to PCB: 0; °  
Numar poli: 1;  
Numar total de conexiuni: 1;  
Total number of potentials: 1;  
Numar tipuri de conexiuni: 1;  
Numar nivele: 1;  
Distanta intre pini: 6 mm / 0.24 inch;  
Latime: 5,7 mm / 0.224 inch;  
Inaltime: 5,6 mm / 0.22 inch;  
Inaltime de la fata: 5,6 mm / 0.22 inch;  
Adancime: 15,8 mm / 0.622 inch;  
Reel diameter of tape-and-reel packaging: 330; mm  
Tape Latime: 24; mm  
PCB contact: SMD;  
Culoare: black;  
Material group: I;  
Material izolator: Polyphthalamide (PPA GF);  
Flammability class per UL94: V0;  
Clamping spring material: Chrome nickel spring steel (CrNi);  
Contact material: Copper alloy;  
Contact plating: tin-plated;  
Greutate: 0,5; g  
Temperatura lucru: -60 ... +105 °C;  
Tip ambalare: BOX;  
Tara de origine: CN;  
GTIN: 4055143251129;  
Customs tariff number: 85369010000;  
Pret: 3,40 lei (TVA inclus)

Detalii online: <https://www.materialelectrice.ro/smd-pcb-terminal-block-push-button-1-5-mm2-pin-spacing-6-mm-1-pole-push-in-cage-clamp-in-tape-and-reel-packaging-1-50-mm2-black-143361>