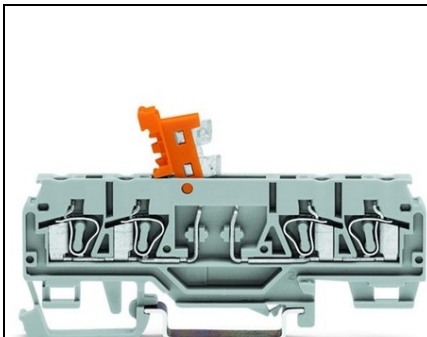


Furnizor: **Sc Trivolt Distribution SRL**  
Reg. com.: J23/3300/2016  
CIF: RO36421140  
Adresa: Strada Apusului nr 3 ( primul  
sens giratoriu Tehodor Pallady-  
Autostrada Soarelui), Catelu, Ilfov  
Banca: BRD  
IBAN: RO34BRDE441SV13182234410



**WAGO 4-CONDUCTOR DISCONNECT/TEST TERMINAL BLOCK; WITH PIVOTING KNIFE DISCONNECT; WITH TEST PORT; FOR 2 MM AND 3 MM Ñ TEST PLUGS; FOR DIN-RAIL 35 X 15 AND 35 X 7.5; 2.5 MMÂ²; CAGE CLAMP®; 2,50 MMÂ²; GRAY**

Tensiune nominala (III/3): 400; V  
Tensiune nominala de supratensiune (III/3): 6; kV  
Curent nominal: 16; A  
Legend (ratings): (III / 3) %™ Overvoltage category III / Pollution degree 3;  
Tehnologie conexiune: CAGE CLAMP®;  
Tip actionare: Operating tool;  
Connectable conductor materials: Copper; Aluminum;  
Solid conductor: 0,08 ... 2,5 mm² / 28 ... 12 AWG;  
Fine-stranded conductor: 0,08 ... 2,5 mm² / 28 ... 12 AWG;  
Strip length: 8 ... 9 mm / 0.31 ... 0.35 inch;  
Numar total de conexiuni: 4;  
Total number of potentials: 2;  
Numar nivele: 1;  
Wiring type: Front-entry wiring;  
Note (conductor cross-section): 12 AWG: THHN, THWN;  
Latime: 5 mm / 0.197 inch;  
Inaltime from upper-edge of DIN-rail: 28,5 mm / 1.122 inch;  
Adancime: 89 mm / 3.504 inch;  
Design: horizontal type;  
Tip montaj: DIN-35 rail;  
Marking level: Center/side marking;  
Culoare: gray;  
Material izolator: Polyamide 66 (PA 66);  
Fire load: 0,191; MJ  
Greutate: 12,1; g  
Product Group: 1 (Rail Mounted Terminal Blocks);  
Tip ambalare: BOX;  
Tara de origine: CN;  
GTIN: 4050821014645;  
Customs tariff number: 85365080900;  
Pret: 22,09 lei (TVA inclus)

Detalii online: <https://www.materialelectrice.ro/4-conductor-disconnect-test-terminal-block-with-pivoting-knife-disconnect-with-test-port-for-2-mm-and-3-mm-oe-test-plugs-for-din-rail-35-x-15-and-35-x-7-5-2-5-mm2-cage-clamp-2-50-mm2-gray-143218>