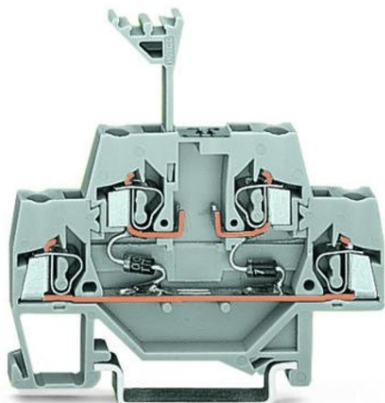


Furnizor: **Sc Trivolt Distribution SRL**
Reg. com.: J23/3300/2016
CIF: RO36421140
Adresa: Strada Apusului nr 3 (primul
sens giratoriu Tehodor Pallady-
Autostrada Soarelui), Catelu, Ilfov
Banca: BRD
IBAN: RO34BRDE441SV13182234410



**WAGO COMPONENT TERMINAL BLOCK; DOUBLE-DECK; WITH 2
DIODES 1N4007; TOP ANODE; FOR DIN-RAIL 35 X 15 AND 35 X 7.5;
2.5 MM²; CAGE CLAMP[®]; 2,50 MM²; GRAY**

Tesiune nominala: 250; V
Reverse voltage: 1.000; V
Ratings per: IEC/EN 60947-7-1;
Curent nominal: 0,5; A
Tehnologie conexiune: CAGE CLAMP[®];
Tip actionare: Operating tool;
Connectable conductor materials: Copper; Aluminum;
Solid conductor: 0,08 ... 2,5 mm² / 28 ... 14 AWG;
Fine-stranded conductor: 0,08 ... 2,5 mm² / 28 ... 14 AWG;
Strip length: 8 ... 9 mm / 0.31 ... 0.35 inch;
Numar total de conexiuni: 4;
Total number of potentials: 2;
Numar nivele: 2;
Wiring type: Front-entry wiring;
Latime: 5 mm / 0.197 inch;
Inaltime from upper-edge of DIN-rail: 58,5 mm / 2.303 inch;
Adancime: 64 mm / 2.52 inch;
Design: horizontal type;
Tip montaj: DIN-35 rail;
Marking level: Center marking;
Culoare: gray;
Material izolator: Polyamide 66 (PA 66);
Fire load: 0,188; MJ
Greutate: 10,5; g
Product Group: 1 (Rail Mounted Terminal Blocks);
Tip ambalare: BOX;
Tara de origine: DE;
GTIN: 4045454196783;
Customs tariff number: 85369010000;
Pret: 49,75 lei (TVA inclus)

Detalii online: <https://www.materialelectrice.ro/component-terminal-block-double-deck-with-2-diodes-1n4007-top-anode-for-din-rail-35-x-15-and-35-x-7-5-2-5-mm2-cage-clamp-2-50-mm2-gray-142321>