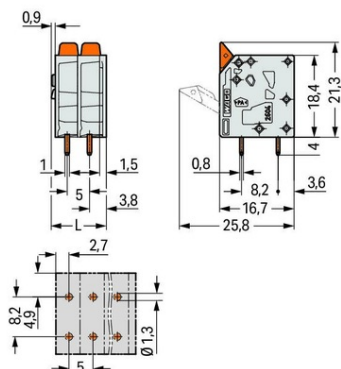


Furnizor: **Sc Trivolt Distribution SRL**
Reg. com.: J23/3300/2016
CIF: RO36421140
Adresa: Strada Apusului nr 3 (primul
sens giratoriu Tehodor Pallady-
Autostrada Soarelui), Catelu, Ilfov
Banca: BRD
IBAN: RO34BRDE441SV13182234410



**WAGO PCB TERMINAL BLOCK; LEVER; 4 MM²; PIN SPACING 5 MM;
2-POLE; PUSH-IN CAGE CLAMP®; 4,00 MM²; GRAY**

Ratings per: IEC/EN 60664-1;
Tensiune nominala (III/3): 320; V
Tensiune nominala de supratensiune (III/3): 4; kV
Tensiune nominala (III/2): 400; V
Tensiune nominala de supratensiune (III/2): 4; kV
Tensiune nominala (II/2): 630; V
Tensiune nominala de supratensiune (II/2): 4; kV
Curent nominal: 32; A
Legend (ratings): (III / 2) \hat{a} %TM Overvoltage category III / Pollution degree 2;
Tensiune nominala UL (Use Group B): 300; V
Curent nominal UL (Use Group B): 20; A
Tensiune nominala UL (Use Group D): 300; V
Curent nominal UL (Use Group D): 10; A
Certificari: UL 1059;
Tehnologie conexiune: Push-in CAGE CLAMP®;
Tip actionare: Lever;
Solid conductor: 0,2 ... 4 mm² / 24 ... 12 AWG;
Fine-stranded conductor: 0,2 ... 4 mm² / 24 ... 12 AWG;
Fine-stranded conductor; with insulated ferrule: 0,25 ... 2,5 mm²;
Fine-stranded conductor; with uninsulated ferrule: 0,25 ... 2,5 mm²;
Fine-stranded conductor; with twin ferrule: 0,25 ... 1,5 mm²;
Strip length: 9 ... 11 mm / 0.35 ... 0.43 inch;
Conductor connection direction to PCB: 90; °
Numar poli: 2;
Numar total de conexiuni: 2;
Total number of potentials: 2;
Numar tipuri de conexiuni: 1;
Numar nivele: 1;
Distanta intre pini: 5 mm / 0.197 inch;
Latime: 12,4 mm / 0.488 inch;
Inaltime: 25,3 mm / 0.996 inch;
Inaltime de la fata: 21,3 mm / 0.839 inch;
Adancime: 16,7 mm / 0.657 inch;
Lungimea pinului de contact: 4; mm
Solder pin dimensions: 0,8 x 1 mm;
Diametrul de gaurire cu toleranta: 1,3 (+0,1) mm;
PCB contact: THT;
Solder pin arrangement: over the entire terminal strip (in-line);
Number of solder pins per potential: 2;
Culoare: gray;
Material group: I;
Material izolator: Polyamide 66 (PA 66);
Flammability class per UL94: V0;
Clamping spring material: Chrome nickel spring steel (CrNi);
Contact material: Cupru electrolitic (ECu);
Contact plating: tin-plated;
Color of actuator: orange;
Greutate: 3,6; g
Temperatura lucru: -60 ... +105 °C;
Tip ambalare: BOX;
Tara de origine: DE;
GTIN: 4055143564717;
Customs tariff number: 85369010000;
Pret: 8,30 lei (TVA inclus)

Detalii online: <https://www.materialelectrice.ro/pcb-terminal-block-lever-4-mm2-pin-spacing-5-mm-2-pole-push-in-cage-clamp-4-00-mm2-gray-142226>