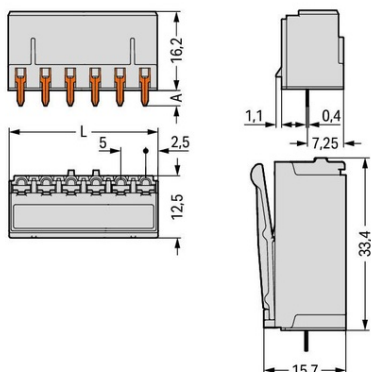


Furnizor: **Sc Trivolt Distribution SRL**
 Reg. com.: J23/3300/2016
 CIF: RO36421140
 Adresa: Strada Apusului nr 3 (primul
 sens giratoriu Tehodor Pallady-
 Autostrada Soarelui), Catelu, Ilfov
 Banca: BRD
 IBAN: RO34BRDE441SV13182234410



**WAGO THT FEMALE HEADER; 0.4 X 1.3 MM SOLDER PIN; STRAIGHT;
 PIN SPACING 5 MM; 3-POLE; LIGHT GRAY**

Ratings per: IEC/EN 60664-1;
 Tensiune nominala (III/3): 250; V
 Tensiune nominala de supratensiune (III/3): 4; kV
 Tensiune nominala (III/2): 320; V
 Tensiune nominala de supratensiune (III/2): 4; kV
 Tensiune nominala (II/2): 630; V
 Tensiune nominala de supratensiune (II/2): 4; kV
 Curent nominal: 16; A
 Legend (ratings): (III / 2) \hat{a} %™ Overvoltage category III / Pollution degree 2;
 Tensiune nominala UL (Use Group B): 300; V
 Curent nominal UL (Use Group B): 15; A
 Tensiune nominala UL (Use Group D): 300; V
 Curent nominal UL (Use Group D): 10; A
 Certificari: UL 1059;
 Numar poli: 3;
 Total number of potentials: 3;
 Numar tipuri de conexiuni: 1;
 Numar nivele: 1;
 Distanta intre pini: 5 mm / 0.197 inch;
 Latime: 15 mm / 0.591 inch;
 Inaltime: 19,8 mm / 0.78 inch;
 Inaltime de la fata: 16,2 mm / 0.638 inch;
 Adancime: 13,6 mm / 0.535 inch;
 Lungimea pinului de contact: 3,6; mm
 Solder pin dimensions: 0,4 x 1,3 mm;
 Diametrul de gaurire cu toleranta: 1,5 (+0,1) mm;
 Tip contact (pluggable connector): Conector mama/priza;
 Connector (connection type): for PCB;
 Mismatching protection: No;
 Mating direction to the PCB: 90; °
 PCB contact: THT;
 Culoare: light gray;
 Material group: I;
 Material izolator: Polyphthalamide (PPA GF);
 Flammability class per UL94: V0;
 Contact material: Copper alloy;
 Contact plating: tin-plated;
 Fire load: 0,069; MJ
 Greutate: 2,8; g
 Temperatura lucru: -60 ... +100 °C;
 Product Group: 26 (picoMAX);
 Tip ambalare: BOX;
 Tara de origine: DE;
 GTIN: 4050821163640;
 Customs tariff number: 85366990990;
 Pret: 12,84 lei (TVA inclus)

Detalii online: <https://www.materialeelectrice.ro/tht-female-header-0-4-x-1-3-mm-solder-pin-straight-pin-spacing-5-mm-3-pole-light-gray-142156>