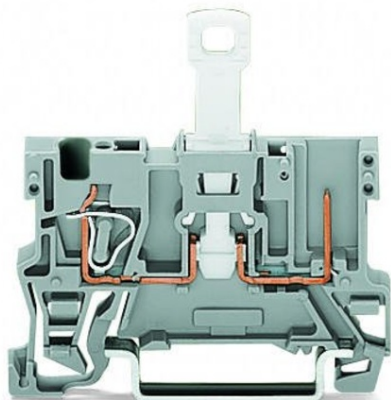


Furnizor: **Sc Trivolt Distribution SRL**
Reg. com.: J23/3300/2016
CIF: RO36421140
Adresa: Strada Apusului nr 3 (primul
sens giratoriu Tehodor Pallady-
Autostrada Soarelui), Catelu, Ilfov
Banca: BRD
IBAN: RO34BRDE441SV13182234410



**WAGO 1-CONDUCTOR/1-PIN DISCONNECT CARRIER TERMINAL
BLOCK; WITH SHIELD CONTACT; FOR DIN-RAIL 35 X 15 AND 35 X
7.5; 4 MM²; CAGE CLAMP®; 4,00 MM²; GRAY**

Tesiune nominala (III/3): 250; V
Tensiune nominala de supratensiune (III/3): 4; kV
Curent nominal: 16; A
Legend (ratings): (III / 3) %^o™ Overvoltage category III / Pollution degree 3;
Tehnologie conexiune: CAGE CLAMP®;
Tip actionare: Open Tool Slot;
Connectable conductor materials: Copper;
Nominal cross-section: 4 mm²;
Solid conductor: 0.08 ... 4 mm² / 28 ... 12 AWG;
Fine-stranded conductor: 0.08 ... 4 mm² / 28 ... 12 AWG;
Strip length: 8 ... 9 mm / 0.31 ... 0.35 inch;
Numar total de conexiuni: 1;
Total number of potentials: 1;
Numar nivele: 1;
Wiring type: Front-entry wiring;
Latime: 5 mm / 0.197 inch;
Inaltime from upper-edge of DIN-rail: 28.5 mm / 1.122 inch;
Adancime: 71.5 mm / 2.815 inch;
Design: horizontal;
Tip montaj: DIN-35 rail;
Marking level: Center marking;
Culoare: gray;
Material izolator: Polyamide 66 (PA 66);
Fire load: 0,116; MJ
Greutate: 7,7; g
Product Group: 18 (X-COM-System);
Tip ambalare: BOX;
Tara de origine: DE;
GTIN: 4050821107422;
Customs tariff number: 85365080900;
Pret: 13,42 lei (TVA inclus)

Detalii online: <https://www.materialelectrice.ro/1-conductor-1-pin-disconnect-carrier-terminal-block-with-shield-contact-for-din-rail-35-x-15-and-35-x-7-5-4-mm2-cage-clamp-4-00-mm2-gray-141957>