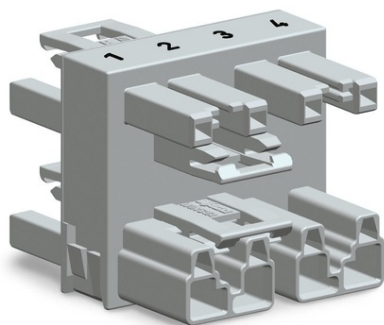


Furnizor: **Sc Trivolt Distribution SRL**  
Reg. com.: J23/3300/2016  
CIF: RO36421140  
Adresa: Strada Apusului nr 3 ( primul  
sens giratoriu Tehodor Pallady-  
Autostrada Soarelui), Catelu, Ilfov  
Banca: BRD  
IBAN: RO34BRDE441SV13182234410



**WAGO 3-WAY DISTRIBUTION CONNECTOR; 4-POLE; COD. B; 1  
INPUT; 3 OUTPUTS; LIGHT GREEN**

Note on Contact Resistance: approx. 1 mΩ; of contact resistance © approx. 0.25 mΩ; contact transition plug/socket;  
Ratings per: IEC/EN 60664-1;  
Tensiune nominala (III/3): 400; V  
Tensiune nominala de supratensiune (III/3): 6; kV  
Curent nominal: 25; A  
Legend (ratings): (III / 3) % Overvoltage category III / Pollution degree 3;  
Tensiune nominala UL 1977: 600; V  
Curent nominal UL 1977: 23; A  
Numar poli: 4;  
Total number of potentials: 4;  
Distanta intre pini: 10 mm / 0.394 inch;  
Latime: 40 mm / 1.575 inch;  
Inaltime: 36,7 mm / 1.445 inch;  
Adancime: 46 mm / 1.811 inch;  
Coding: B;  
Mating force of a plug-in connection: approx. 20 ... 70 N (depending on pole number);  
Retention force of a plug-in connection: When locked: > 80 N;  
Unmating force of a plug-in connection: when unlocked: approx. 20 ... 70 N (depending on pole number);  
Number of mating cycles: > 200, without resistive load 100, with resistive load IN = 25 A, tested (4 mm<sup>2</sup>/AWG 12);  
Distributor type: Distribution connector, 3-way;;  
Marking: 1 2 3 4;  
Protection type: IP20;  
Note on protection type: Only when mated (these compact connectors are not designed for use in open, easily accessible areas.);  
Potential marking: 1 2 3 4;  
Tip contact (pluggable connector): Socket/plug;  
Mismating protection: Yes;  
Locking of plug-in connection: locking lever;  
Locking lever: yes;  
Culoare: light green;  
Material izolator: Polyamide 66 (PA 66);  
Contact material: Copper or copper alloy (surface-treated);  
Fire load: 0,621; MJ  
Greutate: 36,5; g  
Processing temperature: -5 ... +40 °C;  
Continuous operating temperature: -35 ... +85 °C;  
Note on continuous operating temperature: Insulating parts for temperatures ≤ 105 °C;  
Product Group: 20 (WINSTA);  
Tip ambalare: BOX;  
Tara de origine: DE;  
GTIN: 4050821702207;  
Customs tariff number: 85366990990;  
Pret: 62,76 lei (TVA inclus)

Detalii online: <https://www.materialelectrice.ro/3-way-distribution-connector-4-pole-cod-b-1-input-3-outputs-light-green-141912>