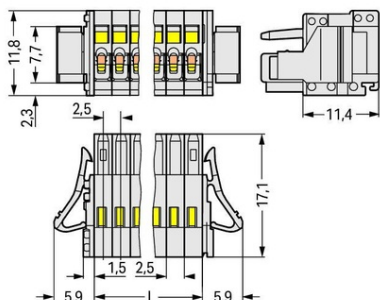


Furnizor: **Sc Trivolt Distribution SRL**  
Reg. com.: J23/3300/2016  
CIF: RO36421140  
Adresa: Strada Apusului nr 3 ( primul  
sens giratoriu Tehodor Pallady-  
Autostrada Soarelui), Catelu, Ilfov  
Banca: BRD  
IBAN: RO34BRDE441SV13182234410



**WAGO 1-CONDUCTOR FEMALE PLUG; 100% PROTECTED AGAINST  
MISMATING; LOCKING LEVER; 0.5 MM<sup>2</sup>; PIN SPACING 2.5 MM; 2-  
POLE; 0,50 MM<sup>2</sup>; LIGHT GRAY**

Ratings per: IEC/EN 60664-1;  
Tensiune nominala (III/3): 100; V  
Tensiune nominala de supratensiune (III/3): 2,5; kV  
Tensiune nominala (III/2): 160; V  
Tensiune nominala de supratensiune (III/2): 2,5; kV  
Tensiune nominala (II/2): 320; V  
Tensiune nominala de supratensiune (II/2): 2,5; kV  
Curent nominal: 6; A  
Legend (ratings): (III / 2)  $\hat{=}$  Overvoltage category III / Pollution degree 2;  
Tensiune nominala UL (Use Group B): 150; V  
Curent nominal UL (Use Group B): 4; A  
Certificari: UL 1059;  
Tensiune nominala CSA (Use Group B): 150; V  
Curent nominal CSA (Use Group B): 4; A  
Tehnologie conexiune: CAGE CLAMP®;  
Tip actionare: Operating tool;  
Solid conductor: 0,08 ... 0,5 mm<sup>2</sup> / 28 ... 20 AWG;  
Fine-stranded conductor: 0,08 ... 0,5 mm<sup>2</sup> / 28 ... 20 AWG;  
Fine-stranded conductor; with insulated ferrule: 0,25 ... 0,34 mm<sup>2</sup>;  
Fine-stranded conductor; with uninsulated ferrule: 0,25 ... 0,34 mm<sup>2</sup>;  
Strip length: 5 ... 6 mm / 0.2 ... 0.24 inch;  
Numar poli: 2;  
Numar total de conexiuni: 2;  
Total number of potentials: 2;  
Numar tipuri de conexiuni: 1;  
Numar nivele: 1;  
Conductor entry direction to mating direction: 0; °  
Distanta intre pini: 2,5 mm / 0.098 inch;  
Latime: 16,8 mm / 0.661 inch;  
Inaltime: 11,8 mm / 0.465 inch;  
Adancime: 17,1 mm / 0.673 inch;  
Tip contact (pluggable connector): Conector mama/priza;  
Connector (connection type): for conductor;  
Mismating protection: Yes;  
Locking of plug-in connection: locking lever;  
Culoare: light gray;  
Material group: I;  
Material izolator: Polyamide 66 (PA 66);  
Flammability class per UL94: V0;  
Clamping spring material: Chrome nickel spring steel (CrNi);  
Contact material: Copper alloy;  
Contact plating: tin-plated;  
Fire load: 0,032; MJ  
Greutate: 1,4; g  
Temperatura lucru: -60 ... +100 °C;  
Product Group: 3 (Multi Conn. System);  
Tip ambalare: BOX;  
Tara de origine: DE;  
GTIN: 4045454215491;  
Customs tariff number: 85366990990;  
Pret: 10,87 lei (TVA inclus)

Detalii online: <https://www.materialelectrice.ro/1-conductor-female-plug-100-protected-against-mismating-locking-lever-0-5-mm2-pin-spacing-2-5-mm-2-pole-0-50-mm2-light-gray-140877>