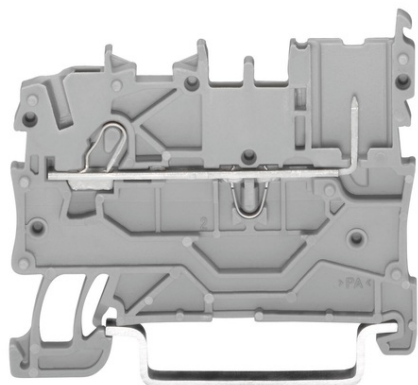


Furnizor: **Sc Trivolt Distribution SRL**  
Reg. com.: J23/3300/2016  
CIF: RO36421140  
Adresa: Strada Apusului nr 3 ( primul  
sens giratoriu Tehodor Pallady-  
Autostrada Soarelui), Catelu, Ilfov  
Banca: BRD  
IBAN: RO34BRDE441SV13182234410



**WAGO 1-CONDUCTOR/1-PIN CARRIER TERMINAL BLOCK; FOR DIN-  
RAIL 35 X 15 AND 35 X 7.5; PUSH-IN CAGE CLAMP®; 1,00 MM<sup>2</sup>;  
GRAY**

Ratings per: IEC/EN 60947-7-1;  
Tensiune nominala (III/3): 500; V  
Tensiune nominala de supratensiune (III/3): 6; kV  
Curent nominal: 13,5; A  
Legend (ratings): (III / 3) <sup>â%</sup>™ Overvoltage category III / Pollution degree 3;  
Tensiune nominala UL (Use Group B): 300; V  
Curent nominal UL (Use Group B): 15; A  
Tensiune nominala UL (Use Group C): 300; V  
Curent nominal UL (Use Group C): 15; A  
Tensiune nominala UL (Use Group D): 300; V  
Curent nominal UL (Use Group D): 15; A  
Certificari: UL 1059;  
Tensiune nominala CSA (Use Group B): 300; V  
Curent nominal CSA (Use Group B): 10; A  
Tensiune nominala CSA (Use Group C): 300; V  
Curent nominal CSA (Use Group C): 10; A  
Tehnologie conexiune: Push-in CAGE CLAMP®;  
Tip actionare: Open Tool Slot; Push-in;  
Connectable conductor materials: Copper;  
Nominal cross-section: 1 mm<sup>2</sup>;  
Solid conductor: 0,14 ... 1,5 mm<sup>2</sup> / 24 ... 16 AWG;  
Solid conductor; push-in termination: 0,5 ... 1,5 mm<sup>2</sup> / 20 ... 16 AWG;  
Fine-stranded conductor: 0,14 ... 1,5 mm<sup>2</sup> / 24 ... 16 AWG;  
Fine-stranded conductor; with insulated ferrule: 0,5 ... 0,75 mm<sup>2</sup> / 20 ... 18 AWG;  
Fine-stranded conductor; with ferrule; push-in termination: 0,5 ... 0,75 mm<sup>2</sup> / 20 ... 18 AWG;  
Strip length: 9 ... 11 mm / 0.35 ... 0.43 inch;  
Numar total de conexiuni: 1;  
Total number of potentials: 1;  
Numar nivele: 1;  
Wiring type: Front-entry wiring;  
Note (conductor cross-section): Depending on the conductor characteristic, a conductor with a smaller cross-section can also be inserted via push-in termination.;  
Latime: 3,5 mm / 0.138 inch;  
Inaltime from upper-edge of DIN-rail: 32,5 mm / 1.28 inch;  
Adancime: 48,5 mm / 1.909 inch;  
Design: horizontal type;  
Tip montaj: DIN-35 rail;  
Marking level: Center/side marking;  
Culoare: gray;  
Material izolator: Polyamide 66 (PA 66);  
Fire load: 0,082; MJ  
Greutate: 3,6; g  
Product Group: 18 (X-COM-System);  
Tip ambalare: BOX;  
Tara de origine: CN;  
GTIN: 4050821145387;  
Customs tariff number: 85366990990;  
Pret: 5,25 lei (TVA inclus)

Detalii online: <https://www.materialelectrice.ro/1-conductor-1-pin-carrier-terminal-block-for-din-rail-35-x-15-and-35-x-7-5-push-in-cage-clamp-1-00-mm2-gray-140413>