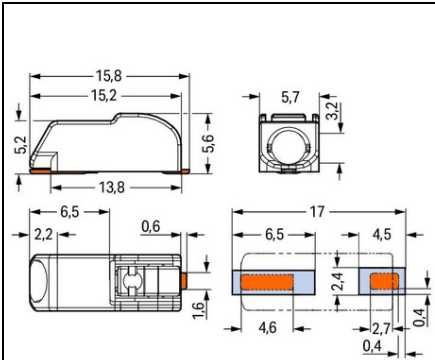


Furnizor: **Sc Trivolt Distribution SRL**
Reg. com.: J23/3300/2016
CIF: RO36421140
Adresa: Strada Apusului nr 3 (primul
sens giratoriu Tehodor Pallady-
Autostrada Soarelui), Catelu, Ilfov
Banca: BRD
IBAN: RO34BRDE441SV13182234410



**WAGO SMD PCB TERMINAL BLOCK; PUSH-BUTTON; 1.5 MM²; PIN
SPACING 6 MM; 1-POLE; PUSH-IN CAGE CLAMP[®]; IN TAPE-AND-
REEL PACKAGING; 1.50 MM²; WHITE**

Ratings per: IEC/EN 60664-1;
Tensiune nominala (III/3): 250; V
Tensiune nominala de supratensiune (III/3): 4; kV
Tensiune nominala (III/2): 320; V
Tensiune nominala de supratensiune (III/2): 4; kV
Tensiune nominala (II/2): 630; V
Tensiune nominala de supratensiune (II/2): 4; kV
Curent nominal: 17,5; A
Legend (ratings): (III / 2) \hat{a} %TM Overvoltage category III / Pollution degree 2;
Tensiune nominala UL (Use Group B): 600; V
Curent nominal UL (Use Group B): 10; A
Tensiune nominala UL (Use Group D): 600; V
Curent nominal UL (Use Group D): 5; A
Certificari: UL 1059;
Tehnologie conexiune: Push-in CAGE CLAMP[®];
Tip actionare: Push-button;
Solid conductor: 0.5 ... 1.5 mm² / 20 ... 16 AWG;
Fine-stranded conductor: 0.5 ... 1.5 mm² / 20 ... 16 AWG;
Fine-stranded conductor; with insulated ferrule: 0.5 ... 0.75 mm²;
Fine-stranded conductor; with uninsulated ferrule: 0.5 ... 0.75 mm²;
Strip length: 7 ... 10 mm / 0.28 ... 0.39 inch;
Conductor connection direction to PCB: 0; °
Numar poli: 1;
Numar total de conexiuni: 1;
Total number of potentials: 1;
Numar tipuri de conexiuni: 1;
Numar nivele: 1;
Distanta intre pini: 6 mm / 0.24 inch;
Latime: 5.7 mm / 0.224 inch;
Inaltime: 5.6 mm / 0.22 inch;
Inaltime de la fata: 5.6 mm / 0.22 inch;
Adancime: 15.8 mm / 0.622 inch;
Reel diameter of tape-and-reel packaging: 330; mm
Tape Latime: 24; mm
PCB contact: SMD;
Culoare: white;
Material group: I;
Material izolator: Polyphthalamide (PPA GF);
Flammability class per UL94: V0;
Clamping spring material: Chrome nickel spring steel (CrNi);
Contact material: Copper alloy;
Contact plating: tin-plated;
Greutate: 0,4; g
Temperatura lucru: -60 ... +105 °C;
Tip ambalare: BOX;
Tara de origine: CN;
GTIN: 4055143278065;
Customs tariff number: 85369010000;
Pret: 3,40 lei (TVA inclus)

Detalii online: <https://www.materialeelectrice.ro/smd-pcb-terminal-block-push-button-1-5-mm2-pin-spacing-6-mm-1-pole-push-in-cage-clamp-in-tape-and-reel-packaging-1-50-mm2-white-140325>