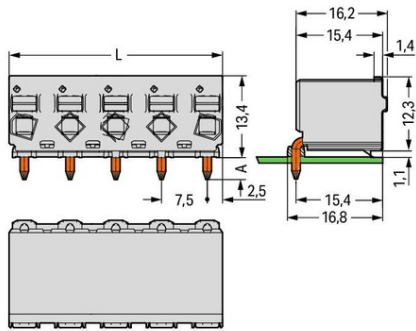


Furnizor: **Sc Trivolt Distribution SRL**
Reg. com.: J23/3300/2016
CIF: RO36421140
Adresa: Strada Apusului nr 3 (primul
sens giratoriu Tehodor Pallady-
Autostrada Soarelui), Catelu, Ilfov
Banca: BRD
IBAN: RO34BRDE441SV13182234410



**WAGO 1-CONDUCTOR THR FEMALE HEADER; 1.4 MM Å~ SOLDER
PIN; ANGLED; 2.5 MMÅ²; PIN SPACING 7.5 MM; 5-POLE; 2,50 MMÅ²;
LIGHT GRAY**

Ratings per: IEC/EN 60664-1;
Tensiune nominala (III/3): 400; V
Tensiune nominala de supratensiune (III/3): 6; kV
Tensiune nominala (III/2): 320; V
Tensiune nominala de supratensiune (III/2): 4; kV
Tensiune nominala (II/2): 630; V
Tensiune nominala de supratensiune (II/2): 4; kV
Curent nominal: 16; A
Legend (ratings): (III / 2) â‰‰™ Overvoltage category III / Pollution degree 2;
Tensiune nominala UL (Use Group B): 300; V
Curent nominal UL (Use Group B): 15; A
Tensiune nominala UL (Use Group D): 300; V
Curent nominal UL (Use Group D): 10; A
Certificari: UL 1059;
Tehnologie conexiune: Push-in CAGE CLAMP®;
Tip actionare: Push-button;
Solid conductor: 0,2 ... 2,5 mm² / 24 ... 12 AWG;
Fine-stranded conductor: 0,2 ... 2,5 mm² / 24 ... 12 AWG;
Fine-stranded conductor; with insulated ferrule: 0,25 ... 1,5 mm²;
Fine-stranded conductor; with uninsulated ferrule: 0,25 ... 2,5 mm²;
Strip length: 9 ... 10 mm / 0.35 ... 0.39 inch;
Conductor connection direction to PCB: 0; °
Numar poli: 5;
Numar total de conexiuni: 5;
Total number of potentials: 5;
Numar tipuri de conexiuni: 1;
Numar nivele: 1;
Distanta intre pini: 7,5 mm / 0.295 inch;
Latime: 35 mm / 1.378 inch;
Inaltime: 13,4 mm / 0.528 inch;
Adancime: 16,2 mm / 0.638 inch;
Lungimea pinului de contact: 2,4; mm
Diametrul pinului de contact: 1,4; mm
Diametru placat prin gaura (THR): 1,6 (+0,1) mm;
Tip contact (pluggable connector): Conector mama/priza;
Connector (connection type): for PCB;
Mismatching protection: No;
Mating direction to the PCB: 0; °
PCB contact: THR;
Culoare: light gray;
Material group: I;
Material izolator: Polyphthalamide (PPA GF);
Flammability class per UL94: V0;
Clamping spring material: Chrome nickel spring steel (CrNi);
Contact material: Cupru electrolitic(ECu);
Contact plating: tin-plated;
Fire load: 0,155; MJ
Greutate: 6,9; g
Temperatura lucru: -60 ... +100 °C;
Tip ambalare: BOX;
Tara de origine: DE;
GTIN: 4055143910743;
Customs tariff number: 85366990990;
Pret: 18,33 lei (TVA inclus)

Detalii online: <https://www.materialelectrice.ro/1-conductor-thr-female-header-1-4-mm-oe-solder-pin-angled-2-5-mm2-pin-spacing-7-5-mm-5-pole-2-50-mm2-light-gray-139695>