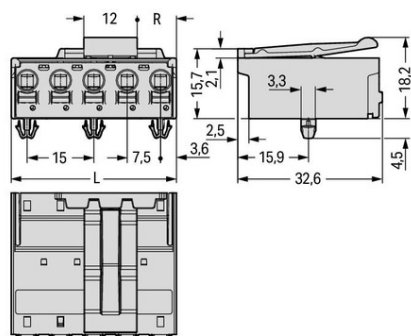


Furnizor: **Sc Trivolt Distribution SRL**  
Reg. com.: J23/3300/2016  
CIF: RO36421140  
Adresa: Strada Apusului nr 3 ( primul  
sens giratoriu Tehodor Pallady-  
Autostrada Soarelui), Catelu, Ilfov  
Banca: BRD  
IBAN: RO34BRDE441SV13182234410



**WAGO 1-CONDUCTOR MALE CONNECTOR; SNAP-IN MOUNTING  
FEET; 2.5 MM<sup>2</sup>; PIN SPACING 7.5 MM; 4-POLE; 2,50 MM<sup>2</sup>; LIGHT  
GRAY**

Ratings per: IEC/EN 60664-1;  
Tensiune nominala (III/3): 400; V  
Tensiune nominala de supratensiune (III/3): 6; kV  
Tensiune nominala (III/2): 630; V  
Tensiune nominala de supratensiune (III/2): 6; kV  
Tensiune nominala (II/2): 1000; V  
Tensiune nominala de supratensiune (II/2): 6; kV  
Curent nominal: 16; A  
Legend (ratings): (III / 2)  $\hat{=}$  Overvoltage category III / Pollution degree 2;  
Tensiune nominala UL (Use Group B): 300; V  
Curent nominal UL (Use Group B): 15; A  
Tensiune nominala UL (Use Group D): 300; V  
Curent nominal UL (Use Group D): 10; A  
Certificari: UL 1059;  
Tehnologie conexiune: Push-in CAGE CLAMP®;  
Tip actionare: Push-button;  
Solid conductor: 0,2 ... 2,5 mm<sup>2</sup> / 24 ... 12 AWG;  
Fine-stranded conductor: 0,2 ... 2,5 mm<sup>2</sup> / 24 ... 12 AWG;  
Fine-stranded conductor; with insulated ferrule: 0,25 ... 1,5 mm<sup>2</sup>;  
Fine-stranded conductor; with uninsulated ferrule: 0,25 ... 2,5 mm<sup>2</sup>;  
Strip length: 9 ... 10 mm / 0.35 ... 0.39 inch;  
Numar poli: 4;  
Numar total de conexiuni: 4;  
Total number of potentials: 4;  
Numar tipuri de conexiuni: 1;  
Numar nivele: 1;  
Distanta intre pini: 7,5 mm / 0.295 inch;  
Latime: 29,7 mm / 1.169 inch;  
Inaltime: 22,7 mm / 0.894 inch;  
Inaltime de la fata: 18,2 mm / 0.717 inch;  
Adancime: 32,6 mm / 1.283 inch;  
Tip montaj: Snap-in mounting foot;  
Tip contact (pluggable connector): Conector tata/fisa;  
Connector (connection type): for conductor;  
Mismatching protection: No;  
Locking of plug-in connection: Locking latch;  
Culoare: light gray;  
Material group: I;  
Material izolator: Polyphthalamide (PPA GF);  
Flammability class per UL94: V0;  
Clamping spring material: Chrome nickel spring steel (CrNi);  
Contact material: Cupru electrolitic (ECu);  
Contact plating: tin-plated;  
Fire load: 0,249; MJ  
Greutate: 10,2; g  
Temperatura lucru: -60 ... +100 °C;  
Product Group: 26 (picoMAX);  
Tip ambalare: BOX;  
Tara de origine: DE;  
GTIN: 4050821164890;  
Customs tariff number: 85366990990;  
Pret: 18,27 lei (TVA inclus)

Detalii online: <https://www.materialelectrice.ro/1-conductor-male-connector-snap-in-mounting-feet-2-5-mm2-pin-spacing-7-5-mm-4-pole-2-50-mm2-light-gray-139646>