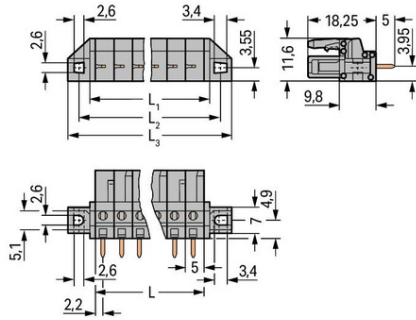


Furnizor: **Sc Trivolt Distribution SRL**
 Reg. com.: J23/3300/2016
 CIF: RO36421140
 Adresa: Strada Apusului nr 3 (primul
 sens giratoriu Tehodor Pallady-
 Autostrada Soarelui), Catelu, Ilfov
 Banca: BRD
 IBAN: RO34BRDE441SV13182234410



**WAGO THT FEMALE HEADER; 0.6 X 1.0 MM SOLDER PIN; STRAIGHT;
 CLAMPING COLLAR; PIN SPACING 5 MM; 11-POLE; GRAY**

Ratings per: IEC/EN 60664-1;
 Tensiune nominala (III/3): 320; V
 Tensiune nominala de supratensiune (III/3): 4; kV
 Tensiune nominala (III/2): 320; V
 Tensiune nominala de supratensiune (III/2): 4; kV
 Tensiune nominala (II/2): 630; V
 Tensiune nominala de supratensiune (II/2): 4; kV
 Curent nominal: 12; A
 Legend (ratings): (III / 2) \hat{a} %™ Overvoltage category III / Pollution degree 2;
 Tensiune nominala UL (Use Group B): 300; V
 Curent nominal UL (Use Group B): 15; A
 Tensiune nominala UL (Use Group D): 300; V
 Curent nominal UL (Use Group D): 10; A
 Certificari: UL 1059;
 Tensiune nominala UL 1977: 600; V
 Curent nominal UL 1977: 15; A
 Tensiune nominala CSA (Use Group B): 300; V
 Curent nominal CSA (Use Group B): 15; A
 Tensiune nominala CSA (Use Group D): 300; V
 Curent nominal CSA (Use Group D): 10; A
 Numar poli: 11;
 Total number of potentials: 11;
 Numar tipuri de conexiuni: 1;
 Numar nivele: 1;
 Distanta intre pini: 5 mm / 0.197 inch;
 Latime: 69.8 mm / 2.748 inch;
 Inaltime: 23.25 mm / 0.915 inch;
 Inaltime de la fata: 18.25 mm / 0.719 inch;
 Adancime: 11.6 mm / 0.457 inch;
 Lungimea pinului de contact: 5; mm
 Solder pin dimensions: 0.6 x 1 mm;
 Diametrul de gaurire cu toleranta: 1.3 (+0.1) mm;
 Tip montaj: Mounting flange;
 Tip montaj: Feed-through mounting; Panel mounting;
 Tip contact (pluggable connector): Conector mama/priza;
 Connector (connection type): for PCBs;
 Mismatching protection: No;
 Mating direction to the PCB: 90; °
 PCB contact: THT;
 Solder pin arrangement: over the entire female connector, in line;
 Number of solder pins per potential: 1;
 Culoare: gray;
 Material group: I;
 Material izolator: Polyamide 66 (PA 66);
 Flammability class per UL94: V0;
 Contact material: Copper alloy;
 Contact plating: tin-plated;
 Fire load: 0,196; MJ
 Greutate: 10,8; g
 Temperatura lucru: -60 ... +85 °C;
 Product Group: 3 (Multi Conn. System);
 Tip ambalare: BOX;
 Tara de origine: DE;
 GTIN: 4050821327318;
 Customs tariff number: 85366990990;
 Pret: 30,40 lei (TVA inclus)

Detalii online: <https://www.materialelectrice.ro/tht-female-header-0-6-x-1-0-mm-solder-pin-straight-clamping-collar-pin-spacing-5-mm-11-pole-gray-138326>