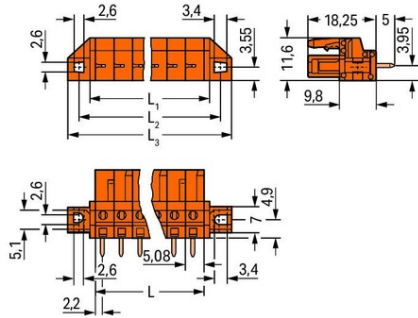


Furnizor: **Sc Trivolt Distribution SRL**  
Reg. com.: J23/3300/2016  
CIF: RO36421140  
Adresa: Strada Apusului nr 3 ( primul  
sens giratoriu Tehodor Pallady-  
Autostrada Soarelui), Catelu, Ilfov  
Banca: BRD  
IBAN: RO34BRDE441SV13182234410



**WAGO THT FEMALE HEADER; 0.6 X 1.0 MM SOLDER PIN; STRAIGHT;  
CLAMPING COLLAR; PIN SPACING 5.08 MM; 16-POLE; ORANGE**

Ratings per: IEC/EN 60664-1;  
Tensiune nominala (III/3): 320; V  
Tensiune nominala de supratensiune (III/3): 4; kV  
Tensiune nominala (III/2): 320; V  
Tensiune nominala de supratensiune (III/2): 4; kV  
Tensiune nominala (II/2): 630; V  
Tensiune nominala de supratensiune (II/2): 4; kV  
Curent nominal: 12; A  
Legend (ratings): (III / 2)  $\hat{a}$ %™ Overvoltage category III / Pollution degree 2;  
Tensiune nominala UL (Use Group B): 300; V  
Curent nominal UL (Use Group B): 15; A  
Tensiune nominala UL (Use Group D): 300; V  
Curent nominal UL (Use Group D): 10; A  
Certificari: UL 1059;  
Tensiune nominala UL 1977: 600; V  
Curent nominal UL 1977: 15; A  
Tensiune nominala CSA (Use Group B): 300; V  
Curent nominal CSA (Use Group B): 15; A  
Tensiune nominala CSA (Use Group D): 300; V  
Curent nominal CSA (Use Group D): 10; A  
Numar poli: 16;  
Numar total de conexiuni: 16;  
Total number of potentials: 16;  
Numar tipuri de conexiuni: 1;  
Numar nivele: 1;  
Distanta intre pini: 5.08 mm / 0.2 inch;  
Latime: 96.08 mm / 3.783 inch;  
Inaltime: 23.25 mm / 0.915 inch;  
Inaltime de la fata: 18.25 mm / 0.719 inch;  
Adancime: 11.6 mm / 0.457 inch;  
Lungimea pinului de contact: 5; mm  
Solder pin dimensions: 0.6 x 1 mm;  
Diametrul de gaurire cu toleranta: 1.3 (+0.1) mm;  
Tip montaj: Mounting flange;  
Tip montaj: Feed-through mounting; Panel mounting;  
Tip contact (pluggable connector): Conector mama/priza;  
Connector (connection type): for PCBs;  
Mismatching protection: No;  
Mating direction to the PCB: 90; °  
PCB contact: THT;  
Solder pin arrangement: over the entire female connector, in line;  
Number of solder pins per potential: 1;  
Culoare: orange;  
Material group: I;  
Material izolator: Polyamide 66 (PA 66);  
Flammability class per UL94: V0;  
Contact material: Copper alloy;  
Contact plating: tin-plated;  
Fire load: 0,246; MJ  
Greutate: 14,5; g  
Temperatura lucru: -60 ... +85 °C;  
Product Group: 3 (Multi Conn. System);  
Tip ambalare: BOX;  
Tara de origine: DE;  
GTIN: 4044918624374;  
Customs tariff number: 85366990990;  
Pret: 42,80 lei (TVA inclus)

Detalii online: <https://www.materialelectrice.ro/tht-female-header-0-6-x-1-0-mm-solder-pin-straight-clamping-collar-pin-spacing-5-08-mm-16-pole-orange-138175>