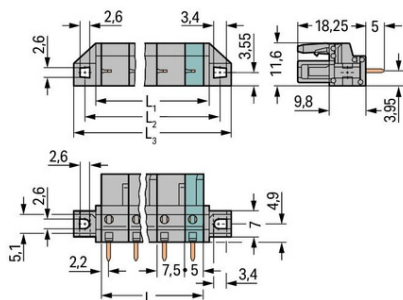


Furnizor: **Sc Trivolt Distribution SRL**  
 Reg. com.: J23/3300/2016  
 CIF: RO36421140  
 Adresa: Strada Apusului nr 3 ( primul  
 sens giratoriu Tehodor Pallady-  
 Autostrada Soarelui), Catelu, Ilfov  
 Banca: BRD  
 IBAN: RO34BRDE441SV13182234410



**WAGO THT FEMALE HEADER; 0.6 X 1.0 MM SOLDER PIN; STRAIGHT;  
 CLAMPING COLLAR; PIN SPACING 7.5 MM; 8-POLE; GRAY**

Ratings per: IEC/EN 60664-1;  
 Tensiune nominala (III/3): 500; V  
 Tensiune nominala de supratensiune (III/3): 6; kV  
 Tensiune nominala (III/2): 630; V  
 Tensiune nominala de supratensiune (III/2): 6; kV  
 Tensiune nominala (II/2): 1000; V  
 Tensiune nominala de supratensiune (II/2): 6; kV  
 Curent nominal: 12; A  
 Legend (ratings): (III / 2)  $\hat{a}$ %<sup>TM</sup> Overvoltage category III / Pollution degree 2;  
 Tensiune nominala UL (Use Group B): 300; V  
 Curent nominal UL (Use Group B): 15; A  
 Tensiune nominala UL (Use Group D): 300; V  
 Curent nominal UL (Use Group D): 10; A  
 Certificari: UL 1059;  
 Tensiune nominala UL 1977: 600; V  
 Curent nominal UL 1977: 15; A  
 Tensiune nominala CSA (Use Group B): 300; V  
 Curent nominal CSA (Use Group B): 15; A  
 Tensiune nominala CSA (Use Group D): 300; V  
 Curent nominal CSA (Use Group D): 10; A  
 Numar poli: 8;  
 Total number of potentials: 8;  
 Numar tipuri de conexiuni: 1;  
 Numar nivele: 1;  
 Distanta intre pini: 7.5 mm / 0.295 inch;  
 Latime: 72.3 mm / 2.846 inch;  
 Inaltime: 23.25 mm / 0.915 inch;  
 Inaltime de la fata: 18.25 mm / 0.719 inch;  
 Adancime: 11.6 mm / 0.457 inch;  
 Lungimea pinului de contact: 5; mm  
 Solder pin dimensions: 0.6 x 1 mm;  
 Diametrul de gaurire cu toleranta: 1.3 (+0.1) mm;  
 Tip montaj: Mounting flange;  
 Tip montaj: Feed-through mounting; Panel mounting;  
 Tip contact (pluggable connector): Conector mama/priza;  
 Connector (connection type): for PCBs;  
 Mismatching protection: No;  
 Mating direction to the PCB: 90; °  
 PCB contact: THT;  
 Solder pin arrangement: over the entire female connector, in line;  
 Number of solder pins per potential: 1;  
 Culoare: gray;  
 Material group: I;  
 Material izolator: Polyamide 66 (PA 66);  
 Flammability class per UL94: V0;  
 Contact material: Copper alloy;  
 Contact plating: tin-plated;  
 Fire load: 0,183; MJ  
 Greutate: 9,3; g  
 Temperatura lucru: -60 ... +85 °C;  
 Product Group: 3 (Multi Conn. System);  
 Tip ambalare: BOX;  
 Tara de origine: DE;  
 GTIN: 4045454499570;  
 Customs tariff number: 85366990990;  
 Pret: 24,18 lei (TVA inclus)

Detalii online: <https://www.materialelectrice.ro/tht-female-header-0-6-x-1-0-mm-solder-pin-straight-clamping-collar-pin-spacing-7-5-mm-8-pole-gray-137708>