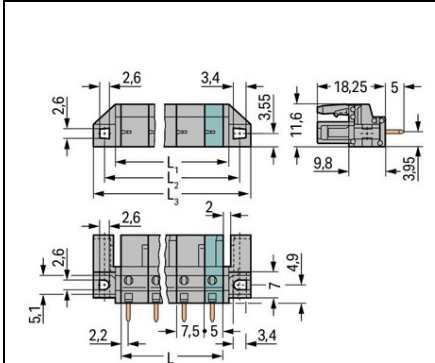


Furnizor: **Sc Trivolt Distribution SRL**
Reg. com.: J23/3300/2016
CIF: RO36421140
Adresa: Strada Apusului nr 3 (primul
sens giratoriu Tehodor Pallady-
Autostrada Soarelui), Catelu, Ilfov
Banca: BRD
IBAN: RO34BRDE441SV13182234410



**WAGO THT FEMALE HEADER; 0.6 X 1.0 MM SOLDER PIN; STRAIGHT;
SPACER FLANGE; PIN SPACING 7.5 MM; 11-POLE; GRAY**

Ratings per: IEC/EN 60664-1;
Tensiune nominala (III/3): 500; V
Tensiune nominala de supratensiune (III/3): 6; kV
Tensiune nominala (III/2): 630; V
Tensiune nominala de supratensiune (III/2): 6; kV
Tensiune nominala (II/2): 1000; V
Tensiune nominala de supratensiune (II/2): 6; kV
Curent nominal: 12; A
Legend (ratings): (III / 2) \hat{a} %™ Overvoltage category III / Pollution degree 2;
Tensiune nominala UL (Use Group B): 300; V
Curent nominal UL (Use Group B): 15; A
Tensiune nominala UL (Use Group D): 300; V
Curent nominal UL (Use Group D): 10; A
Certificari: UL 1059;
Tensiune nominala UL 1977: 600; V
Curent nominal UL 1977: 15; A
Tensiune nominala CSA (Use Group B): 300; V
Curent nominal CSA (Use Group B): 15; A
Tensiune nominala CSA (Use Group D): 300; V
Curent nominal CSA (Use Group D): 10; A
Numar poli: 11;
Total number of potentials: 11;
Numar tipuri de conexiuni: 1;
Numar nivele: 1;
Distanta intre pini: 7.5 mm / 0.295 inch;
Latime: 94.8 mm / 3.732 inch;
Inaltime: 23.25 mm / 0.915 inch;
Inaltime de la fata: 18.25 mm / 0.719 inch;
Adancime: 11.6 mm / 0.457 inch;
Lungimea pinului de contact: 5; mm
Solder pin dimensions: 0.6 x 1 mm;
Diametrul de gaurire cu toleranta: 1.3 (+0.1) mm;
Tip montaj: Mounting flange;
Tip montaj: Flush mounting; Panel mounting;
Tip contact (pluggable connector): Conector mama/priza;
Connector (connection type): for PCBs;
Mismatching protection: No;
Mating direction to the PCB: 90; °
PCB contact: THT;
Solder pin arrangement: over the entire female connector, in line;
Number of solder pins per potential: 1;
Culoare: gray;
Material group: I;
Material izolator: Polyamide 66 (PA 66);
Flammability class per UL94: V0;
Contact material: Copper alloy;
Contact plating: tin-plated;
Fire load: 0,255; MJ
Greutate: 13; g
Temperatura lucru: -60 ... +85 °C;
Tip ambalare: BOX;
Tara de origine: DE;
GTIN: 4050821637998;
Customs tariff number: 85366990990;
Pret: 32,06 lei (TVA inclus)

Detalii online: <https://www.materialelectrice.ro/tht-female-header-0-6-x-1-0-mm-solder-pin-straight-spacer-flange-pin-spacing-7-5-mm-11-pole-gray-137685>