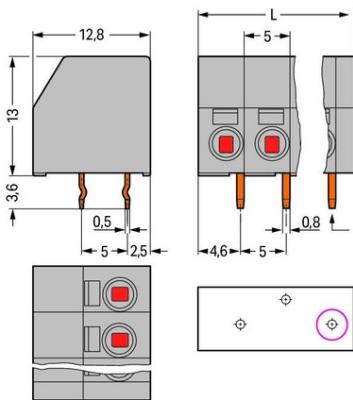


Furnizor: **Sc Trivolt Distribution SRL**  
 Reg. com.: J23/3300/2016  
 CIF: RO36421140  
 Adresa: Strada Apusului nr 3 ( primul  
 sens giratoriu Tehodor Pallady-  
 Autostrada Soarelui), Catelu, Ilfov  
 Banca: BRD  
 IBAN: RO34BRDE441SV13182234410



**WAGO 2-CONDUCTOR PCB TERMINAL BLOCK; 1.5 MM<sup>2</sup>; PIN SPACING 5 MM; 7-POLE; PUSH WIRE<sup>®</sup>; 1,50 MM<sup>2</sup>; ORANGE**

Ratings per: IEC/EN 60664-1;  
 Tensiune nominala (III/3): 320; V  
 Tensiune nominala de supratensiune (III/3): 4; kV  
 Tensiune nominala (III/2): 320; V  
 Tensiune nominala de supratensiune (III/2): 4; kV  
 Tensiune nominala (II/2): 630; V  
 Tensiune nominala de supratensiune (II/2): 4; kV  
 Curent nominal: 17,5; A  
 Legend (ratings): (III / 2)  $\hat{\%}$ ™ Overvoltage category III / Pollution degree 2;  
 Tensiune nominala UL (Use Group B): 300; V  
 Curent nominal UL (Use Group B): 8; A  
 Tensiune nominala UL (Use Group D): 300; V  
 Curent nominal UL (Use Group D): 8; A  
 Certificari: UL 1059;  
 Tensiune nominala CSA (Use Group B): 300; V  
 Curent nominal CSA (Use Group B): 8; A  
 Tensiune nominala CSA (Use Group D): 300; V  
 Curent nominal CSA (Use Group D): 8; A  
 Connection type (1): PUSH WIRE<sup>®</sup> connection;  
 Tehnologie conexiune: PUSH WIRE<sup>®</sup>;  
 Number of connection points (connection type): 1;  
 Tip actionare: Operating tool;  
 Solid conductor: 0,5 ... 1,5 mm<sup>2</sup> / 20 ... 16 AWG;  
 Strip length: 8,5 ... 9,5 mm / 0.33 ... 0.37 inch;  
 Note (strip length): 7 ... 8 mm / 0.28 ... 0.31 inch (for wiring on both sides);  
 Conductor connection direction to PCB: 0; °  
 Numar poli: 7;  
 Connection type 2: PUSH WIRE<sup>®</sup> connection;  
 Tehnologie conexiune 2: PUSH WIRE<sup>®</sup>;  
 Number of connection points: 1;  
 Solid conductor 2: 0,5 ... 1,5 mm<sup>2</sup> / 20 ... 16 AWG;  
 Strip length 2: 8,5 ... 9,5 mm / 0.33 ... 0.37 inch;  
 Note (strip length) 2: 7 ... 8 mm / 0.28 ... 0.31 inch (for wiring on both sides);  
 Conductor connection direction to PCB 2: 90; °  
 Numar total de conexiuni: 14;  
 Total number of potentials: 7;  
 Numar tipuri de conexiuni: 2;  
 Numar nivele: 2;  
 Distanta intre pini: 5 mm / 0.197 inch;  
 Latime: 37 mm / 1.457 inch;  
 Inaltime: 16,6 mm / 0.654 inch;  
 Inaltime de la fata: 13 mm / 0.512 inch;  
 Adancime: 12,8 mm / 0.504 inch;  
 Lungimea pinului de contact: 3,6; mm  
 Solder pin dimensions: 0,5 x 0,8 mm;  
 Diametrul de gaurire cu toleranta: 1,1 (+0,1) mm;  
 PCB contact: THT;  
 Solder pin arrangement: over the entire terminal strip (staggered);  
 Number of solder pins per potential: 1;  
 Culoare: orange;  
 Material group: I;  
 Material izolator: Polyamide 66 (PA 66);  
 Flammability class per UL94: V0;  
 Clamping spring material: Chrome nickel spring steel (CrNi);  
 Contact material: Cupru electrolitic (ECu);  
 Contact plating: tin-plated;  
 Fire load: 0,128; MJ  
 Greutate: 6,2; g  
 Temperatura lucru: -60 ... +105 °C;  
 Tip ambalare: BOX;  
 Tara de origine: CH;  
 GTIN: 4044918689472;  
 Customs tariff number: 85369010000;  
 Pret: 9,85 lei (TVA inclus)

Detalii online: <https://www.materialelectrice.ro/2-conductor-pcb-terminal-block-1-5-mm2-pin-spacing-5-mm-7-pole-push-wire-1-50-mm2-orange-136951>