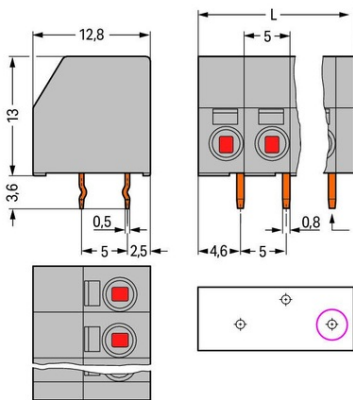


Furnizor: **Sc Trivolt Distribution SRL**
 Reg. com.: J23/3300/2016
 CIF: RO36421140
 Adresa: Strada Apusului nr 3 (primul
 sens giratoriu Tehodor Pallady-
 Autostrada Soarelui), Catelu, Ilfov
 Banca: BRD
 IBAN: RO34BRDE441SV13182234410



**WAGO 2-CONDUCTOR PCB TERMINAL BLOCK; 1.5 MM²; PIN
 SPACING 5 MM; 16-POLE; PUSH WIRE[®]; 1,50 MM²; GRAY**

Ratings per: IEC/EN 60664-1;
 Tensiune nominala (III/3): 320; V
 Tensiune nominala de supratensiune (III/3): 4; kV
 Tensiune nominala (III/2): 320; V
 Tensiune nominala de supratensiune (III/2): 4; kV
 Tensiune nominala (II/2): 630; V
 Tensiune nominala de supratensiune (II/2): 4; kV
 Curent nominal: 17,5; A
 Legend (ratings): (III / 2) $\hat{a}\%$ ™ Overvoltage category III / Pollution degree 2;
 Tensiune nominala UL (Use Group B): 300; V
 Curent nominal UL (Use Group B): 8; A
 Tensiune nominala UL (Use Group D): 300; V
 Curent nominal UL (Use Group D): 8; A
 Certificari: UL 1059;
 Tensiune nominala CSA (Use Group B): 300; V
 Curent nominal CSA (Use Group B): 8; A
 Tensiune nominala CSA (Use Group D): 300; V
 Curent nominal CSA (Use Group D): 8; A
 Connection type (1): PUSH WIRE[®] connection;
 Tehnologie conexiune: PUSH WIRE[®];
 Number of connection points (connection type): 1;
 Tip actionare: Operating tool;
 Solid conductor: 0,5 ... 1,5 mm² / 20 ... 16 AWG;
 Strip length: 8,5 ... 9,5 mm / 0.33 ... 0.37 inch;
 Note (strip length): 7 ... 8 mm / 0.28 ... 0.31 inch (for wiring on both sides);
 Conductor connection direction to PCB: 0; °
 Numar poli: 16;
 Connection type 2: PUSH WIRE[®] connection;
 Tehnologie conexiune 2: PUSH WIRE[®];
 Number of connection points: 1;
 Solid conductor 2: 0,5 ... 1,5 mm² / 20 ... 16 AWG;
 Strip length 2: 8,5 ... 9,5 mm / 0.33 ... 0.37 inch;
 Note (strip length) 2: 7 ... 8 mm / 0.28 ... 0.31 inch (for wiring on both sides);
 Conductor connection direction to PCB 2: 90; °
 Numar total de conexiuni: 32;
 Total number of potentials: 16;
 Numar tipuri de conexiuni: 2;
 Numar nivele: 2;
 Distanta intre pini: 5 mm / 0.197 inch;
 Latime: 82 mm / 3.228 inch;
 Inaltime: 16,6 mm / 0.654 inch;
 Inaltime de la fata: 13 mm / 0.512 inch;
 Adancime: 12,8 mm / 0.504 inch;
 Lungimea pinului de contact: 3,6; mm
 Solder pin dimensions: 0,5 x 0,8 mm;
 Diametrul de gaurire cu toleranta: 1,1 (+0,1) mm;
 PCB contact: THT;
 Solder pin arrangement: over the entire terminal strip (staggered);
 Number of solder pins per potential: 1;
 Culoare: gray;
 Material group: I;
 Material izolator: Polyamide 66 (PA 66);
 Flammability class per UL94: V0;
 Clamping spring material: Chrome nickel spring steel (CrNi);
 Contact material: Cupru electrolitic (ECu);
 Contact plating: tin-plated;
 Fire load: 0,282; MJ
 Greutate: 13,8; g
 Temperatura lucru: -60 ... +105 °C;
 Product Group: 4 (Printed Circuit);
 Tip ambalare: BOX;
 Tara de origine: CN;
 GTIN: 4044918689694;
 Customs tariff number: 85369010000;
 Pret: 21,79 lei (TVA inclus)

Detalii online: <https://www.materialelectrice.ro/2-conductor-pcb-terminal-block-1-5-mm2-pin-spacing-5-mm-16-pole-push-wire-1-50-mm2-gray-136931>