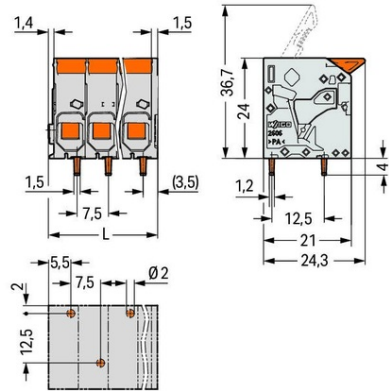


Furnizor: **Sc Trivolt Distribution SRL**  
Reg. com.: J23/3300/2016  
CIF: RO36421140  
Adresa: Strada Apusului nr 3 ( primul  
sens giratoriu Tehodor Pallady-  
Autostrada Soarelui), Catelu, Ilfov  
Banca: BRD  
IBAN: RO34BRDE441SV13182234410



**WAGO PCB TERMINAL BLOCK; LEVER; 6 MM<sup>2</sup>; PIN SPACING 7.5 MM; 11-POLE; PUSH-IN CAGE CLAMP®; 6.00 MM<sup>2</sup>; GRAY**

Ratings per: IEC/EN 60664-1;  
Tensiune nominala (III/3): 800; V  
Tensiune nominala de supratensiune (III/3): 8; kV  
Tensiune nominala (III/2): 1000; V  
Tensiune nominala de supratensiune (III/2): 8; kV  
Tensiune nominala (II/2): 1000; V  
Tensiune nominala de supratensiune (II/2): 8; kV  
Curent nominal: 41; A  
Legend (ratings): (III / 2)  $\hat{=}$  Overvoltage category III / Pollution degree 2;  
Tensiune nominala UL (Use Group B): 600; V  
Curent nominal UL (Use Group B): 31; A  
Tensiune nominala UL (Use Group C): 600; V  
Curent nominal UL (Use Group C): 31; A  
Certificari: UL 1059;  
Tehnologie conexiune: Push-in CAGE CLAMP®;  
Tip actionare: Lever;  
Solid conductor: 0,2 ... 10 mm<sup>2</sup> / 24 ... 8 AWG;  
Fine-stranded conductor: 0,2 ... 10 mm<sup>2</sup> / 24 ... 8 AWG;  
Fine-stranded conductor; with insulated ferrule: 0,25 ... 6 mm<sup>2</sup>;  
Fine-stranded conductor; with uninsulated ferrule: 0,25 ... 6 mm<sup>2</sup>;  
Fine-stranded conductor; with twin ferrule: 0,25 ... 2,5 mm<sup>2</sup>;  
Strip length: 11 ... 13 mm / 0.43 ... 0.51 inch;  
Conductor connection direction to PCB: 0; °  
Numar poli: 11;  
Numar total de conexiuni: 11;  
Total number of potentials: 11;  
Numar tipuri de conexiuni: 1;  
Numar nivele: 1;  
Distanta intre pini: 7,5 mm / 0.295 inch;  
Latime: 85,35 mm / 3.36 inch;  
Inaltime: 28 mm / 1.102 inch;  
Inaltime de la fata: 24 mm / 0.945 inch;  
Adancime: 24,3 mm / 0.957 inch;  
Lungimea pinului de contact: 4; mm  
Solder pin dimensions: 1,5 x 1,2 mm;  
Diametrul de gaurire cu toleranta: 2 (+0,1) mm;  
PCB contact: THT;  
Solder pin arrangement: over the entire terminal strip (staggered);  
Number of solder pins per potential: 1;  
Culoare: gray;  
Material group: I;  
Material izolator: Polyamide 66 (PA 66);  
Flammability class per UL94: V0;  
Clamping spring material: Chrome nickel spring steel (CrNi);  
Contact material: Cupru electrolitic (ECu);  
Contact plating: tin-plated;  
Color of actuator: orange;  
Greutate: 42,1; g  
Temperatura lucru: -60 ... +105 °C;  
Tip ambalare: BOX;  
Tara de origine: PL;  
GTIN: 4055143586559;  
Customs tariff number: 85369010000;  
Pret: 83,45 lei (TVA inclus)

Detalii online: <https://www.materialelectrice.ro/pcb-terminal-block-lever-6-mm2-pin-spacing-7-5-mm-11-pole-push-in-cage-clamp-6-00-mm2-gray-136203>