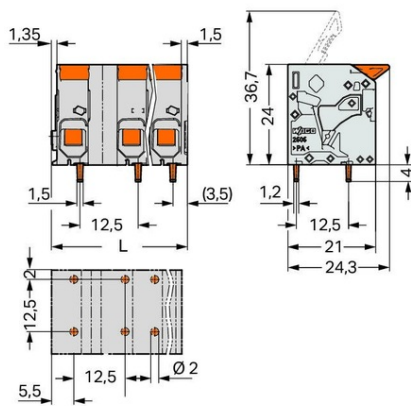


Furnizor: **Sc Trivolt Distribution SRL**  
 Reg. com.: J23/3300/2016  
 CIF: RO36421140  
 Adresa: Strada Apusului nr 3 ( primul  
 sens giratoriu Tehodor Pallady-  
 Autostrada Soarelui), Catelu, Ilfov  
 Banca: BRD  
 IBAN: RO34BRDE441SV13182234410



**WAGO PCB TERMINAL BLOCK; LEVER; 6 MM<sup>2</sup>; PIN SPACING 12.5 MM; 6-POLE; PUSH-IN CAGE CLAMP®; 6,00 MM<sup>2</sup>; GRAY**

Ratings per: IEC/EN 60664-1;  
 Tensiune nominala (III/3): 800; V  
 Tensiune nominala de supratensiune (III/3): 8; kV  
 Tensiune nominala (III/2): 1000; V  
 Tensiune nominala de supratensiune (III/2): 8; kV  
 Tensiune nominala (II/2): 1000; V  
 Tensiune nominala de supratensiune (II/2): 8; kV  
 Curent nominal: 41; A  
 Legend (ratings): (III / 2) %™ Overvoltage category III / Pollution degree 2;  
 Tensiune nominala UL (Use Group B): 600; V  
 Curent nominal UL (Use Group B): 42; A  
 Tensiune nominala UL (Use Group C): 600; V  
 Curent nominal UL (Use Group C): 42; A  
 Certificari: UL 1059;  
 Tehnologie conexiune: Push-in CAGE CLAMP®;  
 Tip actionare: Lever;  
 Solid conductor: 0,2 ... 10 mm<sup>2</sup> / 24 ... 8 AWG;  
 Fine-stranded conductor: 0,2 ... 10 mm<sup>2</sup> / 24 ... 8 AWG;  
 Fine-stranded conductor; with insulated ferrule: 0,25 ... 6 mm<sup>2</sup>;  
 Fine-stranded conductor; with uninsulated ferrule: 0,25 ... 6 mm<sup>2</sup>;  
 Fine-stranded conductor; with twin ferrule: 0,25 ... 2,5 mm<sup>2</sup>;  
 Strip length: 11 ... 13 mm / 0.43 ... 0.51 inch;  
 Conductor connection direction to PCB: 0; °  
 Numar poli: 6;  
 Numar total de conexiuni: 6;  
 Total number of potentials: 6;  
 Numar tipuri de conexiuni: 1;  
 Numar nivele: 1;  
 Distanta intre pini: 12,5 mm / 0.492 inch;  
 Latime: 71,5 mm / 2.815 inch;  
 Inaltime: 28 mm / 1.102 inch;  
 Inaltime de la fata: 24 mm / 0.945 inch;  
 Lungimea pinului de contact: 4; mm  
 Solder pin dimensions: 1,5 x 1,2 mm;  
 Diametrul de gaurire cu toleranta: 2 (+0,1) mm;  
 PCB contact: THT;  
 Solder pin arrangement: over the entire terminal strip (in-line);  
 Number of solder pins per potential: 2;  
 Culoare: gray;  
 Material group: I;  
 Material izolator: Polyamide 66 (PA 66);  
 Flammability class per UL94: V0;  
 Clamping spring material: Chrome nickel spring steel (CrNi);  
 Contact material: Cupru electrolitic (ECu);  
 Contact plating: tin-plated;  
 Color of actuator: orange;  
 Greutate: 31,5; g  
 Temperatura lucru: -60 ... +105 °C;  
 Tip ambalare: BOX;  
 Tara de origine: DE;  
 GTIN: 4055143862004;  
 Customs tariff number: 85369010000;  
 Pret: 55,89 lei (TVA inclus)

Detalii online: <https://www.materialelectrice.ro/pcb-terminal-block-lever-6-mm2-pin-spacing-12-5-mm-6-pole-push-in-cage-clamp-6-00-mm2-gray-136200>