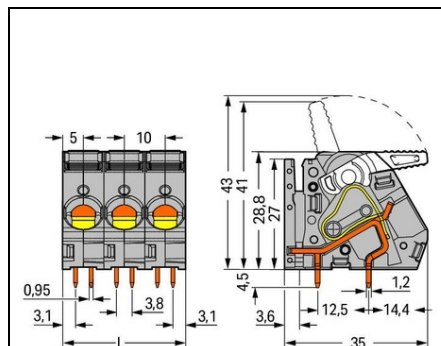


Furnizor: **Sc Trivolt Distribution SRL**
 Reg. com.: J23/3300/2016
 CIF: RO36421140
 Adresa: Strada Apusului nr 3 (primul
 sens giratoriu Tehodor Pallady-
 Autostrada Soarelui), Catelu, Ilfov
 Banca: BRD
 IBAN: RO34BRDE441SV13182234410



WAGO PCB TERMINAL BLOCK; LEVER; 16 MM²; PIN SPACING 10 MM; 3-POLE; CAGE CLAMP®; COMMONING OPTION; 16,00 MM²; GRAY

Ratings per: IEC/EN 60664-1;
 Tensiune nominala (III/3): 320; V
 Tensiune nominala de supratensiune (III/3): 4; kV
 Tensiune nominala (III/2): 320; V
 Tensiune nominala de supratensiune (III/2): 4; kV
 Tensiune nominala (II/2): 630; V
 Tensiune nominala de supratensiune (II/2): 4; kV
 Curent nominal: 76; A
 Legend (ratings): (III / 2) $\hat{=}$ Overvoltage category III / Pollution degree 2;
 Tensiune nominala UL (Use Group B): 300; V
 Curent nominal UL (Use Group B): 55; A
 Tensiune nominala UL (Use Group C): 150; V
 Curent nominal UL (Use Group C): 55; A
 Tensiune nominala UL (Use Group D): 300; V
 Curent nominal UL (Use Group D): 10; A
 Certificari: UL 1059;
 Tehnologie conexiune: CAGE CLAMP®;
 Tip actionare: Lever;
 Solid conductor: 1,5 ... 16 mm² / 16 ... 6 AWG;
 Fine-stranded conductor: 1,5 ... 16 mm² / 16 ... 6 AWG;
 Fine-stranded conductor; with insulated ferrule: 1,5 ... 10 mm²;
 Fine-stranded conductor; with uninsulated ferrule: 1,5 ... 10 mm²;
 Strip length: 12 ... 13 mm / 0.47 ... 0.51 inch;
 Conductor connection direction to PCB: 30; °
 Numar poli: 3;
 Numar total de conexiuni: 3;
 Total number of potentials: 3;
 Numar tipuri de conexiuni: 1;
 Numar nivele: 1;
 Number of jumper slots: 1;
 Distanta intre pini: 10 mm / 0.394 inch;
 Latime: 31,5 mm / 1.24 inch;
 Inaltime: 33,3 mm / 1.311 inch;
 Inaltime de la fata: 28,8 mm / 1.134 inch;
 Adancime: 35 mm / 1.378 inch;
 Lungimea pinului de contact: 4,5; mm
 Solder pin dimensions: 0,95 x 1,2 mm;
 Diametrul de gaurire cu toleranta: 1,6 (+0,1) mm;
 PCB contact: THT;
 Solder pin arrangement: over the entire terminal strip (in-line);
 Number of solder pins per potential: 4;
 Culoare: gray;
 Material group: I;
 Material izolator: Polyamide 66 (PA 66);
 Flammability class per UL94: V0;
 Clamping spring material: Chrome nickel spring steel (CrNi);
 Contact material: Cupru electrolitic (ECu);
 Contact plating: tin-plated;
 Fire load: 0,532; MJ
 Greutate: 31,4; g
 Temperatura lucru: -60 ... +105 °C;
 Product Group: 4 (Printed Circuit);
 Tip ambalare: BOX;
 Tara de origine: PL;
 GTIN: 4045454739348;
 Customs tariff number: 85369010000;
 Pret: 26,09 lei (TVA inclus)

Detalii online: <https://www.materialelectrice.ro/pcb-terminal-block-lever-16-mm2-pin-spacing-10-mm-3-pole-cage-clamp-commoning-option-16-00-mm2-gray-135633>