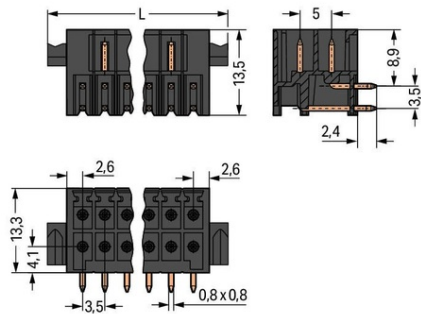


Furnizor: **Sc Trivolt Distribution SRL**
Reg. com.: J23/3300/2016
CIF: RO36421140
Adresa: Strada Apusului nr 3 (primul
sens giratoriu Tehodor Pallady-
Autostrada Soarelui), Catelu, Ilfov
Banca: BRD
IBAN: RO34BRDE441SV13182234410



**WAGO THR MALE HEADER, 2-ROW; 0.8 X 0.8 MM SOLDER PIN;
ANGLED; 100% PROTECTED AGAINST MISMATING; LEVERS; PIN
SPACING 3.5 MM; 2 X 7-POLE; BLACK**

Ratings per: IEC/EN 60664-1;
Tensiune nominala (III/3): 80; V
Tensiune nominala de supratensiune (III/3): 2,5; kV
Tensiune nominala (III/2): 160; V
Tensiune nominala de supratensiune (III/2): 2,5; kV
Tensiune nominala (II/2): 250; V
Tensiune nominala de supratensiune (II/2): 2,5; kV
Curent nominal: 10; A
Legend (ratings): (III / 2) $\hat{=}$ Overvoltage category III / Pollution degree 2;
Tensiune nominala UL (Use Group B): 150; V
Curent nominal UL (Use Group B): 10; A
Tensiune nominala UL (Use Group C): 50; V
Curent nominal UL (Use Group C): 10; A
Certificari: UL 1059;
Tensiune nominala CSA (Use Group B): 150; V
Curent nominal CSA (Use Group B): 12; A
Numar poli: 14;
Total number of potentials: 14;
Numar tipuri de conexiuni: 1;
Numar nivele: 2;
Distanta intre pini: 3.5 mm / 0.138 inch;
Latime: 32.6 mm / 1.283 inch;
Inaltime: 15.7 mm / 0.618 inch;
Inaltime de la fata: 13.3 mm / 0.524 inch;
Adancime: 13.5 mm / 0.531 inch;
Lungimea pinului de contact: 2,4; mm
Solder pin dimensions: 0.8 x 0.8 mm;
Diametru placat prin gaura (THR): 1.3 (+0.1) mm;
Tip contact (pluggable connector): Conector tata/fisa;
Connector (connection type): for PCBs;
Mismating protection: Yes;
Mating direction to the PCB: 0; °
Locking of plug-in connection: Locking lever;
PCB contact: THR;
Solder pin arrangement: over the entire male connector, in line;
Number of solder pins per potential: 1;
Culoare: black;
Material group: I;
Material izolator: Polyphthalamide (PPA GF);
Flammability class per UL94: V0;
Contact material: Cupru electrolitic(ESu);
Contact plating: tin-plated;
Fire load: 0,082; MJ
Greutate: 4,1; g
Temperatura lucru: -60 ... +100 °C;
Product Group: 3 (Multi Conn. System);
Tip ambalare: BOX;
Tara de origine: PL;
GTIN: 4050821156284;
Customs tariff number: 85366990990;
Pret: 19,47 lei (TVA inclus)

Detalii online: <https://www.materialelectrice.ro/thr-male-header-2-row-0-8-x-0-8-mm-solder-pin-angled-100-protected-against-mismating-levers-pin-spacing-3-5-mm-2-x-7-pole-black-134911>