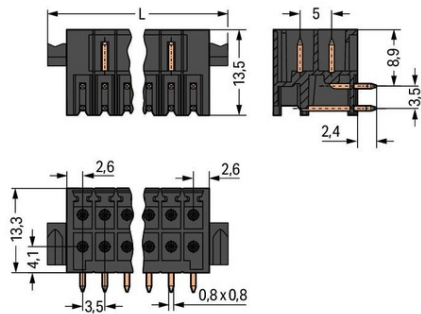


Furnizor: **Sc Trivolt Distribution SRL**
 Reg. com.: J23/3300/2016
 CIF: RO36421140
 Adresa: Strada Apusului nr 3 (primul
 sens giratoriu Tehodor Pallady-
 Autostrada Soarelui), Catelu, Ilfov
 Banca: BRD
 IBAN: RO34BRDE441SV13182234410



**WAGO THR MALE HEADER, 2-ROW; 0.8 X 0.8 MM SOLDER PIN;
 ANGLED; 100% PROTECTED AGAINST MISMATING; LEVERS; PIN
 SPACING 3.5 MM; 2 X 14-POLE; BLACK**

Ratings per: IEC/EN 60664-1;
 Tensiune nominala (III/3): 80; V
 Tensiune nominala de supratensiune (III/3): 2,5; kV
 Tensiune nominala (III/2): 160; V
 Tensiune nominala de supratensiune (III/2): 2,5; kV
 Tensiune nominala (II/2): 250; V
 Tensiune nominala de supratensiune (II/2): 2,5; kV
 Curent nominal: 10; A
 Legend (ratings): (III / 2) $\hat{=}$ Overvoltage category III / Pollution degree 2;
 Tensiune nominala UL (Use Group B): 150; V
 Curent nominal UL (Use Group B): 10; A
 Tensiune nominala UL (Use Group C): 50; V
 Curent nominal UL (Use Group C): 10; A
 Certificari: UL 1059;
 Tensiune nominala CSA (Use Group B): 150; V
 Curent nominal CSA (Use Group B): 12; A
 Numar poli: 28;
 Total number of potentials: 3;
 Numar tipuri de conexiuni: 1;
 Numar nivele: 2;
 Distanta intre pini: 3.5 mm / 0.138 inch;
 Latime: 57.1 mm / 2.248 inch;
 Inaltime: 15.7 mm / 0.618 inch;
 Inaltime de la fata: 13.3 mm / 0.524 inch;
 Adancime: 13.5 mm / 0.531 inch;
 Lungimea pinului de contact: 2,4; mm
 Solder pin dimensions: 0.8 x 0.8 mm;
 Diametru placat prin gaura (THR): 1.3 (+0.1) mm;
 Tip contact (pluggable connector): Conector tata/fisa;
 Connector (connection type): for PCBs;
 Mismatching protection: Yes;
 Mating direction to the PCB: 0; °
 Locking of plug-in connection: Locking lever;
 PCB contact: THR;
 Solder pin arrangement: over the entire male connector, in line;
 Number of solder pins per potential: 1;
 Culoare: black;
 Material group: I;
 Material izolator: Polyphthalamide (PPA GF);
 Flammability class per UL94: V0;
 Contact material: Cupru electrolitic(ECu);
 Contact plating: tin-plated;
 Fire load: 0,15; MJ
 Greutate: 7,7; g
 Temperatura lucru: -60 ... +100 °C;
 Product Group: 3 (Multi Conn. System);
 Tip ambalare: BOX;
 Tara de origine: PL;
 GTIN: 4050821156352;
 Customs tariff number: 85366990990;
 Pret: 38,74 lei (TVA inclus)

Detalii online: <https://www.materialelectrice.ro/thr-male-header-2-row-0-8-x-0-8-mm-solder-pin-angled-100-protected-against-mismatching-levers-pin-spacing-3-5-mm-2-x-14-pole-black-134848>